

OA412FRW60 rangehood

Recirculating Rangehood Telescopic (Slide Out) Integrated Air Extractor



60cm White	Code 3071
60cm Stainless Steel	Code 3077
90cm White	Code 3079
90cm Stainless Steel	Code 3081

• COLOUR	Enamelled white or stainless steel Clear glass deflector Facia rail replaceable for integration
• SIZES	60cm and 90cm
• INSTALLATION	Built into cabinetry
• MOTOR	100 watt single shaded pole with impellor
• CONTROLS	Two - front mounted right
• SPEEDS	Three settings, Low, Med, High presettable
• ILLUMINATION	2 x 40 watt S.E.S. tubular presettable
• CAPACITY	310 cubic metres/hour nett 350 cubic metres/hour gross
• FILTER	One-piece aluminium mesh (removable)
• AIR EXTRACTION	Direct recirculation or alternative direct ducting to atmosphere
• ACCESSORY	Fitted activated charcoal filter removable/replaceable 60cm code CF3061 90cm code CF3062 (pair)

DIRECT RECIRCULATION

No longer is a ducting kit required to be installed in the cabinetry above the rangehood to redirect the filtered air back into the kitchen. Simply remove the cover plate positioned behind the telescopic facia rail and the air is efficiently recirculated.

SPACE SAVING

This direct recirculation frees the overhead cabinetry space for extra kitchen storage.

COST CUTTING

As well as the absence of a recirculation kit and its associated purchase costs, there is no further carpentry involved with this single and simple installation requirement.

FULL INTEGRATION

Mounted above the cooktop in cupboard and suspended from a shelf in the cabinet cavity, the front facia rail is fully integrated into the cupboard line when the rangehood is not in use. This front rail is replaceable by a decor strip of timber or laminated material.

AUTOMATION

Preset fan speed and/or lights to operate automatically when the rail is pulled forward.

MAINTENANCE

Easy lift out grease filter is dishwasher safe, removable light diffuser for bulb access. All clean lines for wipe over maintenance.

Performance

Highly efficient air extraction of up to 350 cubic metres an hour further enhanced by large catchment area when visor is telescoped outwards.

QUIETNESS

37-53 dBA. The motor/impellor encasement and flues are all smooth walled to minimise air drag and hence noise, welded metal joints for no vibration.

SAFETY

Thermal overload protector on motor, fire retardant hardened metal and mesh, VO self extinguishing plastic for motor housing and internal flues.

CHARCOAL FILTER

This accessory is fitted for the effective removal of cooking odours in the recirculation application. These filters are not to be washed and are replaceable.

DIRECT DUCTING

When the extracted air can be sent straight to atmosphere, simply replace the front coverplate and the top exit, in conjunction with a duct pipe.

WARRANTY

2 years on parts and labour.

OA412FRW60 rangehood

ID 231105

Recirculating Rangehood Telescopic (Slide Out) Integrated Air Extractor

AUTOMATIC TELESCOPIC AIR EXTRACTOR

Codes: 60cm White:3071 Stainless Steel:3077
90cm White:3079 Stainless Steel:3081

Height 170mm
Width 598mm and 898mm
Depth Telescopic Visor closed – 300mm
Telescopic Visor opened – 485mm

Packaged Dimensions
60cm: 645mmW x 390mmD x 255mmH = 0.065m³
90cm: 945mmW x 390mmD x 255mmH = 0.094m³

Nett Weight 60cm: 8.6kg, 90cm: 11.8kg
Gross Weight 60cm: 9.7kg, 90cm: 13.3kg
Capacity 310 cubic m/hr nett
350 cubic m/hr gross

Noise Rating 37-53 dBA
Electric Supply 240 volt 50 Hz

Electrical Connection 3 pin plug
Power Cord Length 1.25 metre

Wattage Motor 100 watt single shaded pole
Light 2 x 40 watt S.E.S. tubular globes
Total 180 watt

Total Current 0.75 Amp

Supplied Template for mounting, spigot (collar) for duct piece, screws, instructions for installation, operation and maintenance.
Activated charcoal filter (Two for 90cm)

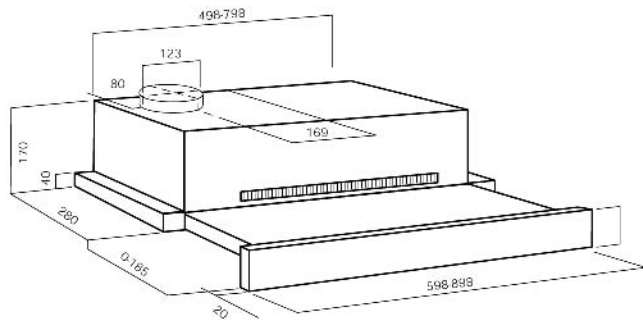
PLEASE NOTE:

Automatic Recirculation

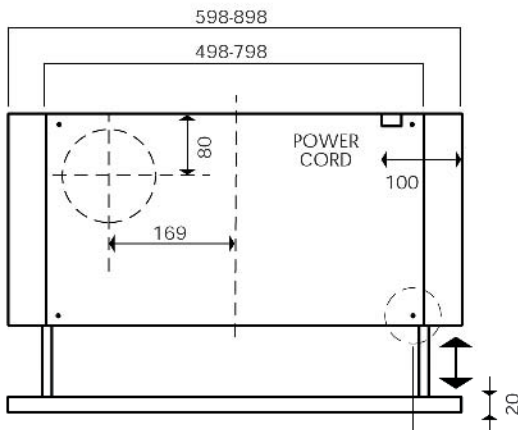
Unpacked, the hood has a 475mm x 44mm cover plate screwed in place over the recirculation vent visible behind the telescopic fascia rail – remove cover for recirculation mode.

Direct Ducting to Atmosphere

Leave cover plate in place, use roof exit and fit the supplied spigot (123mm dia.) to take a 125mm (5") diameter duct piece.

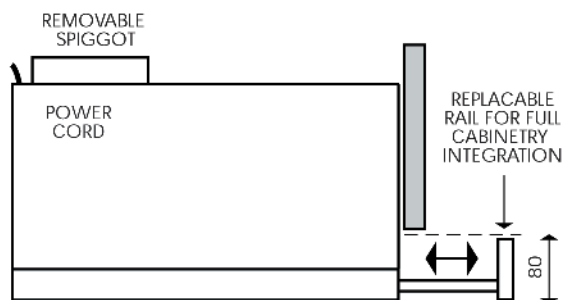


Please note – Minimum mounting height above cooktop :
Above Electric Hob 600mm
Above Gas Hob 650mm

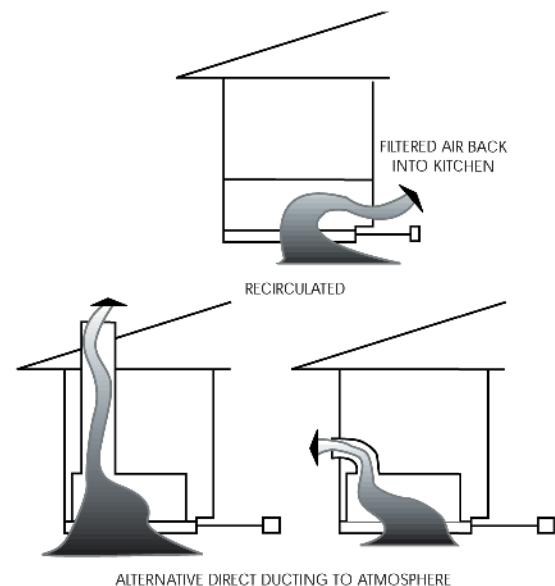


PICK-UP POINTS FOR SHELF SUSPENSION

PLAN



PLAN



AIR FILTERING OPTIONS

Warning: Technical specifications and product sizes can be varied by the manufacturer - without notice.
Cut outs for appliances should only be by physical product measurements. The above information is indicative only.

omega