

# OA412FRW/X90 rangehood

## Recirculating Rangehood Telescopic (Slide Out) Integrated Air Extractor



|                      |           |
|----------------------|-----------|
| 60cm White           | Code 3071 |
| 60cm Stainless Steel | Code 3077 |
| 90cm White           | Code 3079 |
| 90cm Stainless Steel | Code 3081 |

|                  |  |
|------------------|--|
| • COLOUR         | Enamelled white or stainless steel<br>Clear glass deflector<br>Facia rail replaceable for integration    |
| • SIZES          | 60cm and 90cm  |
| • INSTALLATION   | Built into cabinetry   |
| • MOTOR          | 100 watt single shaded pole with impellor  |
| • CONTROLS       | Two - front mounted right  |
| • SPEEDS         | Three settings, Low, Med, High<br>presettable  |
| • ILLUMINATION   | 2 x 40 watt S.E.S. tubular presettable   |
| • CAPACITY       | 310 cubic metres/hour nett<br>350 cubic metres/hour gross  |
| • FILTER         | One-piece aluminium mesh<br>(removable)  |
| • AIR EXTRACTION | Direct recirculation or alternative<br>direct ducting to atmosphere                                      |
| • ACCESSORY      | Fitted activated charcoal filter<br>removable/replaceable<br>60cm code CF3061<br>90cm code CF3062 (pair) |

### DIRECT RECIRCULATION

No longer is a ducting kit required to be installed in the cabinetry above the rangehood to redirect the filtered air back into the kitchen. Simply remove the cover plate positioned behind the telescopic facia rail and the air is efficiently recirculated.

### SPACE SAVING

This direct recirculation frees the overhead cabinetry space for extra kitchen storage.

### COST CUTTING

As well as the absence of a recirculation kit and its associated purchase costs, there is no further carpentry involved with this single and simple installation requirement.

### FULL INTEGRATION

Mounted above the cooktop in cupboard and suspended from a shelf in the cabinet cavity, the front facia rail is fully integrated into the cupboard line when the rangehood is not in use. This front rail is replaceable by a decor strip of timber or laminated material.

### AUTOMATION

Preset fan speed and/or lights to operate automatically when the rail is pulled forward.

### MAINTENANCE

Easy lift out grease filter is dishwasher safe, removable light diffuser for bulb access. All clean lines for wipe over maintenance.

### Performance

Highly efficient air extraction of up to 350 cubic metres an hour further enhanced by large catchment area when visor is telescoped outwards.

### QUIETNESS

37-53 dBA. The motor/impellor encasement and flues are all smooth walled to minimise air drag and hence noise, welded metal joints for no vibration.

### SAFETY

Thermal overload protector on motor, fire retardant hardened metal and mesh, VO self extinguishing plastic for motor housing and internal flues.

### CHARCOAL FILTER

This accessory is fitted for the effective removal of cooking odours in the recirculation application. These filters are not to be washed and are replaceable.

### DIRECT DUCTING

When the extracted air can be sent straight to atmosphere, simply replace the front coverplate and the top exit, in conjunction with a duct pipe.

### WARRANTY

2 years on parts and labour.

# OA412FRW/X90 rangehood

ID 231105

## Recirculating Rangehood Telescopic (Slide Out) Integrated Air Extractor

### AUTOMATIC TELESCOPIC AIR EXTRACTOR

Codes: 60cm White:3071 Stainless Steel:3077

90cm White:3079 Stainless Steel:3081

Height 170mm  
 Width 598mm and 898mm  
 Depth Telescopic Visor closed – 300mm  
 Telescopic Visor opened – 485mm

Packaged Dimensions  
 60cm: 645mmW x 390mmD x 255mmH = 0.065m<sup>3</sup>  
 90cm: 945mmW x 390mmD x 255mmH = 0.094m<sup>3</sup>

Nett Weight 60cm: 8.6kg, 90cm: 11.8kg

Gross Weight 60cm: 9.7kg, 90cm: 13.3kg

Capacity 310 cubic m/hr nett  
 350 cubic m/hr gross

Noise Rating 37-53 dBA

Electric Supply 240 volt 50 Hz

Electrical Connection 3 pin plug

Power Cord Length 1.25 metre

Wattage Motor 100 watt single shaded pole

Light 2 x 40 watt S.E.S. tubular globes

Total 180 watt

Total Current 0.75 Amp

Supplied Template for mounting, spigot (collar) for duct piece, screws, instructions for installation, operation and maintenance.  
 Activated charcoal filter (Two for 90cm)

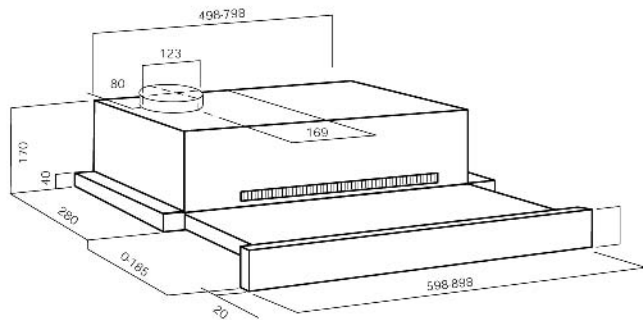
#### PLEASE NOTE:

##### Automatic Recirculation

Unpacked, the hood has a 475mm x 44mm cover plate screwed in place over the recirculation vent visible behind the telescopic fascia rail – remove cover for recirculation mode.

##### Direct Ducting to Atmosphere

Leave cover plate in place, use roof exit and fit the supplied spigot (123mm dia.) to take a 125mm (5") diameter duct piece.

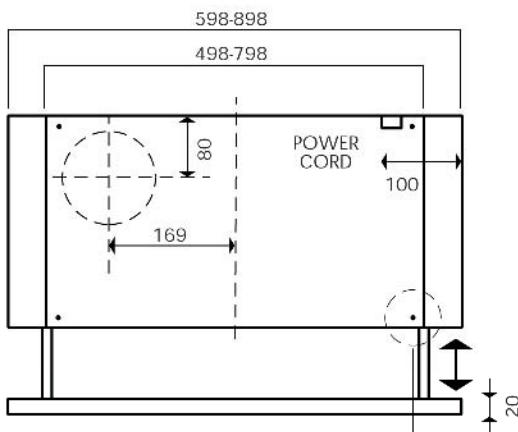


Please note – Minimum mounting height

above cooktop :

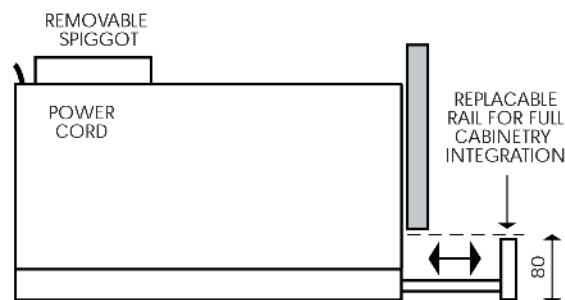
Above Electric Hob 600mm

Above Gas Hob 650mm

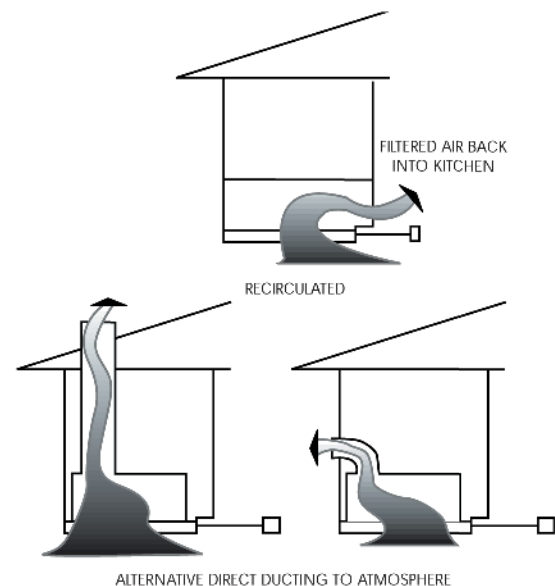


PICK-UP POINTS FOR SHELF SUSPENSION

PLAN



PLAN



AIR FILTERING OPTIONS

Warning: Technical specifications and product sizes can be varied by the manufacturer - without notice.  
 Cut outs for appliances should only be by physical product measurements. The above information is indicative only.

**omega**