

# 2339S sink

ID061108  
code 17116

78cm length, single bowl, single drainer



**please note**

available as —

- left-hand bowl with tap hole punched
- right-hand bowl with tap hole punched
- no tap hole

actual size 780mmW x 480mmD x 170mmH bowl  
single bowl/single drainer

all polished stainless steel, 0.8mm gauge

21.33 litre bowl

designer plug and waste unit supplied

90mm diameter waste hole suitable for food waste  
disposal unit

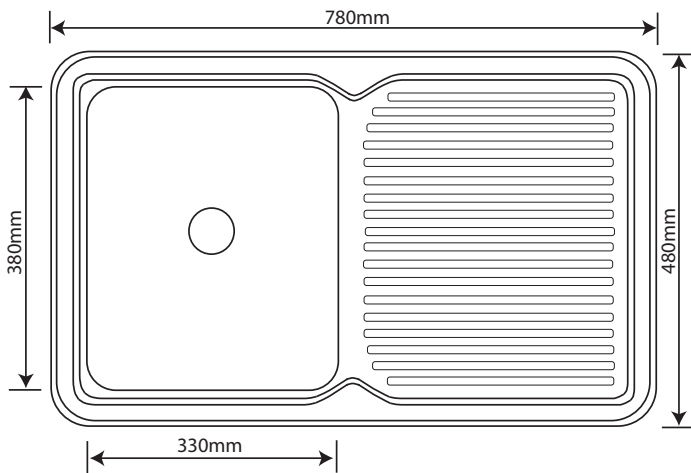
radiused corners for universal design appeal

anti-drum, sound insulation applied to underside of  
bowl and drainer

rolled edging for perfect hygienic sealing to  
benchtop

clips and seal supplied in separate carton

platform space for water filter spout installation



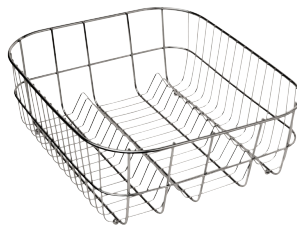
**NB: cutout template supplied within package**

**NB: drawings are not to scale  
— they are to assist only**

## optional accessories



ST212 stainless  
steel drainer tray  
to cover bowl



SB212 stainless  
steel crockery  
basket for bowl  
or drainer



CB212 timber  
chopping board  
for bowl

## optional taps

all for mains pressure, all chrome



elba slimline,  
code 17401



logo MKII,  
code 4014/1



elba pullout with vegetable  
spray, code 17402



elba squareline,  
code 17403

**Warning: technical specifications and product sizes can be varied by the manufacturer without notice.**

**Cutouts for appliances should only be by physical product measurements. The above information is indicative only.**

**omega**