

# 1365D sink

ID230707  
code 17119

98cm length, main bowl, 0.65 auxiliary bowl, single drainer



## please note

available as —

- left-hand main bowl with tap hole punched
- right-hand main bowl with tap hole punched
- no tap hole

actual size 980mmW x 480mmD x 170mm/130mm bowl heights

main bowl, 0.65 auxiliary bowl, drainer

all polished stainless steel, 0.8mm gauge

21.33 litre and 7.0 litre bowl capacities

two designer plug and waste units supplied

90mm diameter waste holes suitable for food waste disposal unit

radiused corners for universal design appeal

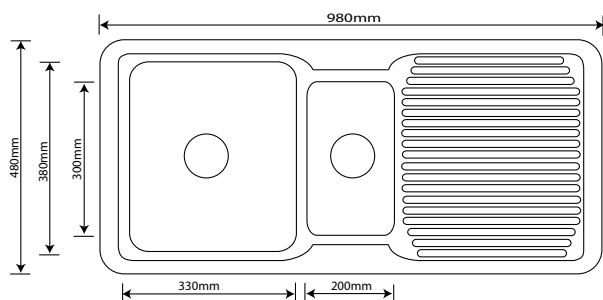
anti-drum, sound insulation applied to underside of bowl and drainer

rolled edging for perfect hygienic sealing to benchtop

clips and seal supplied in separate carton

platform space for water filter spout installation

1365D



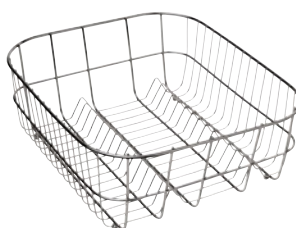
**NB: cutout template supplied within package**

**NB: drawings are not to scale  
— they are to assist only**

## optional accessories



ST212 stainless steel drainer tray to cover main bowl



SB212 stainless steel crockery basket for main bowl or drainer



CB212 timber chopping board for main bowl

## optional taps

all for mains pressure, all chrome



elba slimline,  
code 17401



logo MKII,  
code 4014/1



elba pullout with vegetable spray,  
code 17402



elba squareline,  
code 17403

**Warning: technical specifications and product sizes can be varied by the manufacturer without notice. Cutouts for appliances should only be by physical product measurements. The above information is indicative only.**

**omega**