

NH359S sink

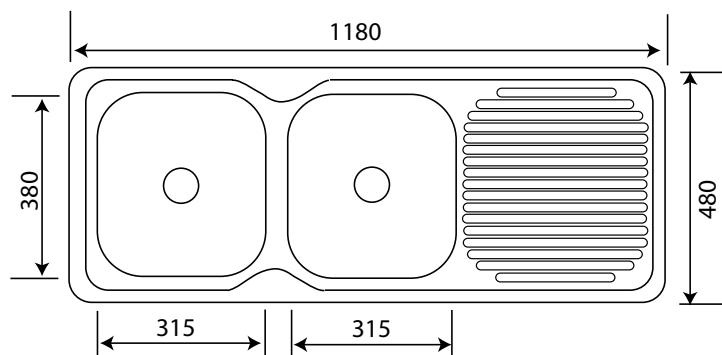
ID230707
code 17111

118cm length, two equal-sized main bowls, single drainer

please note

available as —

- left-hand outer bowl with tap hole punched
- right-hand outer bowl with tap hole punched
- no tap hole



actual size 1180mmW x 480mmD x 170mm bowl heights

two main bowls, drainer

all polished stainless steel, 0.8mm gauge

20.35 litre capacity, both bowls

two designer plug and waste units supplied

90mm diameter waste holes suitable for food waste disposal unit

radiused corners for universal design appeal

anti-drum, sound insulation applied to underside of bowls and drainer

rolled edging for perfect hygienic sealing to benchtop

clips and seal supplied in separate carton

platform space for water filter spout installation

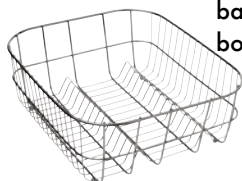
NB: cutout template supplied within package

NB: drawings are not to scale — they are to assist only

optional accessories



ST212 stainless steel drainer tray to cover either bowl



SB212 stainless steel crockery basket for either bowl and drainer



CB212 timber chopping board for either bowl

optional taps

all for mains pressure, all chrome



elba slimline,
code 17401



logo MKII,
code 4014/1



elba pullout with vegetable spray,
code 17402



elba squareline,
code 17403

Warning: technical specifications and product sizes can be varied by the manufacturer without notice.

Cutouts for appliances should only be by physical product measurements. The above information is indicative only.

omega