
omega laundry sink

45 litre, built-in, insert,
40mm diameter by-pass/tap holes



overall dimensions 637mmW x 478mmD x 230mm H
(excludes 85mmH designer waste)

all polished stainless steel, 0.8mm gauge

two pre-punched by-pass/tap holes

stainless steel dress cap for redundant hole

designer plug and waste reducer supplied

90mm diameter waste hole; suits food waste disposer

plumbing waste pipes supplied

clips and seal supplied

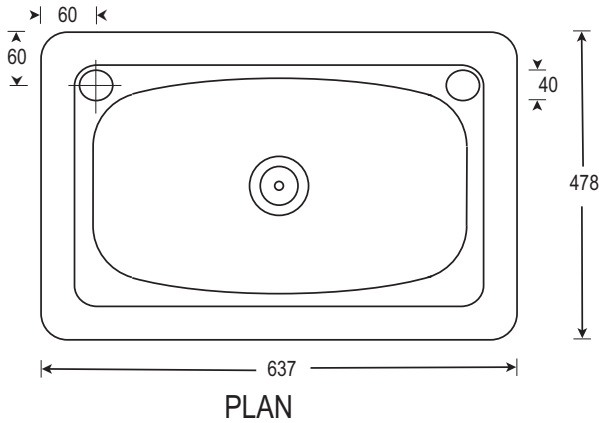
template supplied

two-year warranty on sink, designer plug/waste reducer, dress cap

PLEASE NOTE: each sink is supplied with an accessory carton, marked 22165. This carton contains the clips, seal, dress cap and designer plug/waste

omega laundry sink

45 litre, built-in, insert,
40mm diameter by-pass/tap holes



OVERALL DIMENSIONS

637mmW x 478mm x 230mmH
excludes 85mmH designer waste

BOWL DIMENSIONS

538mmW x 385mmD x 220mmH

CAPACITY

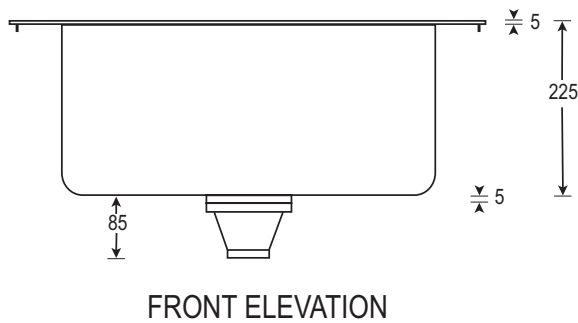
45 litre

WEIGHT

4.02kg

PACKAGING

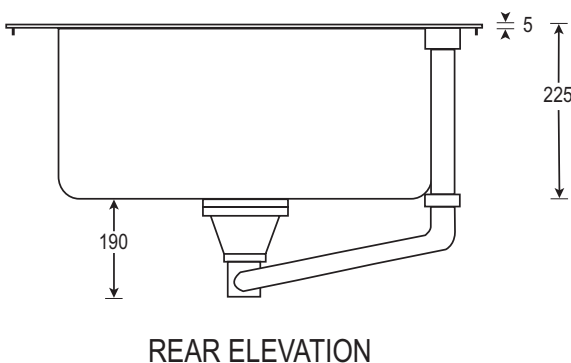
all-plastic wrap
690mmW x 530mmD x 70mmH
plus cardboard sink platform
protection — bulk stack and
transport



SUPPLIED

platform cardboard includes
cutout line
separate carton containing —

- stainless steel dress cap for
redundant waste hole
- designer plug and waste unit
- clips, seal



NB: drawings are not to scale — they are to assist only

**Warning: technical specifications and product sizes can be varied by the manufacturer without notice.
Cutouts for appliances should only be by physical product measurements. The above information is indicative only.**