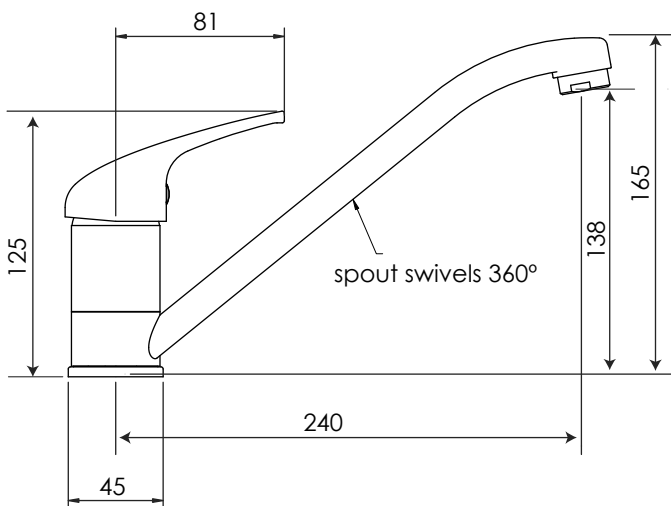




- long-life ceramic disc cartridge
- volume and temperature adjustable
- triple chrome-plating process
- non-splash aerator fitted
- two 10mm compression fittings supplied ($\frac{3}{8}$ " to $\frac{1}{2}$ ")
- heavy-duty DR (dezincification resilient) solid brass construction
- flexible inlet pipes with $\frac{1}{2}$ " connections
- made in Australia
- five year warranty



WELS certificate

registration number	ROOOO80
licence number	0005
relevant standard	AS/NZS 640:2005
registration	12.04.06
expiration	28.03.11
nominal flow rate	7.0
water efficiency star rating	4

NB: drawings are not to scale — they are to assist only