

logo MK II tap

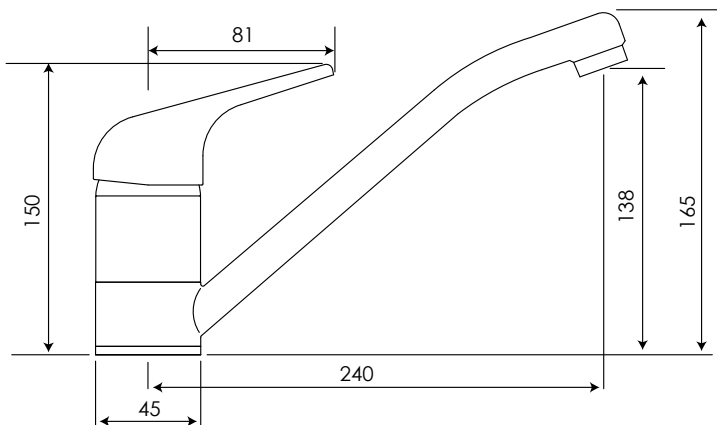
ID230707
code 4014/1

single lever mixer, stirrup handle, mains pressure



- long-life ceramic disc cartridge
- volume and temperature adjustable
- triple chrome-plating process
- non-splash aerator fitted
- two 10mm compression fittings supplied ($\frac{3}{8}$ " to $\frac{1}{2}$ ")
- heavy-duty DR (dezincification resilient) solid brass construction
- flexible inlet pipes with $\frac{1}{2}$ " connections
- made in China
- five year warranty

NB: stirrup handle



WELS certificate

registration number	ROOOO80A
licence number	0005
relevant standard	AS/NZS 6400:2005
registration	31.05.06
expiration	16.05.11
nominal flow rate	7.0
water efficiency star rating	4

NB: drawings are not to scale — they are to assist only

**Warning: technical specifications and product sizes can be varied by the manufacturer without notice.
Cutouts for appliances should only be by physical product measurements. The above information is indicative only.**

omega