

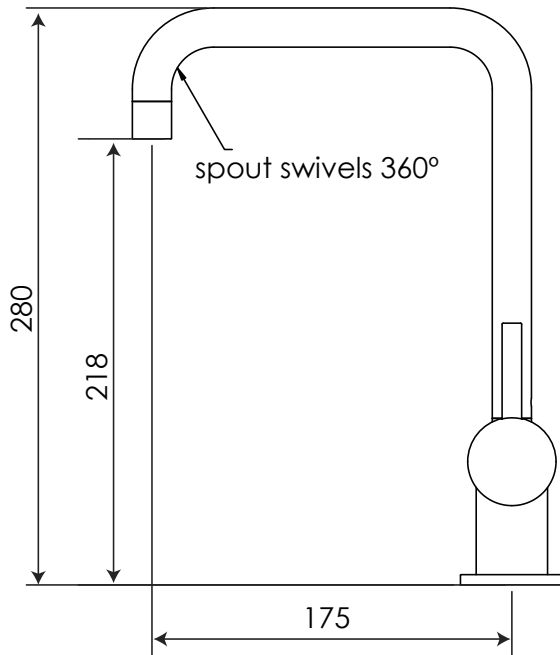
# logo squareline tap

ID230707  
code 17403

single lever mixer, mains pressure



- long-life ceramic disc cartridge
- volume and temperature adjustable
- triple chrome-plating process
- non-splash aerator fitted
- two 10mm compression fittings supplied ( $\frac{3}{8}$ " to  $\frac{1}{2}$ " )
- heavy-duty DR (dezincification resilient) solid brass construction
- flexible inlet pipes with  $\frac{1}{2}$ " connections
- made in China
- five year warranty



WELS certificate	
registration number	ROOO142A
licence number	0005
relevant standard	AS/NZS 6400:2005
registration	22.06.06
expiration	20.06.11
nominal flow rate	4.89
water efficiency star rating	5

**NB: drawings are not to scale — they are to assist only**

**Warning: technical specifications and product sizes can be varied by the manufacturer without notice.  
Cutouts for appliances should only be by physical product measurements. The above information is indicative only.**

**omega**