

**omega**

installation  
and operating  
instructions



OC64BA  
Cooktop

Dear customer,

We thank you and congratulate you on your choice.

This new carefully designed product, manufactured with the highest quality materials, has been carefully tested to satisfy all your cooking demands.

We would therefore request you to read and follow these easy instructions which will allow you to obtain excellent results right from the start.

May we wish you all the very best with your modern appliance!

## THE MANUFACTURER

---

---

## Index

### Instructions for use

Installation	3
Use	3
Maintenance	3

### Instructions for the installation technician

Installation	10
Positioning	10
Electrical connection	10
Heating elements	11

THIS APPLIANCE IS CONCEIVED FOR DOMESTIC USE ONLY. THE MANUFACTURER SHALL NOT IN ANY WAY BE HELD RESPONSIBLE FOR WHATEVER INJURIES OR DAMAGES ARE CAUSED BY INCORRECT INSTALLATION OR BY UNSUITABLE, WRONG OR ABSURD USE.



- The appliance is not intended for use by young children or infirm persons without supervision.
- Young children should be supervised to ensure that they do not play with the appliance.
- If the supply cord is damaged, it must be replaced by the manufacturer or its service agent or a similarly qualified person in order to avoid a hazard.
- If a stationary appliance is not provided with a supply cord and a plug or with other means for disconnection from the supply having an air gap contact separation in all active (phase) conductors, the instructions shall state that such means for disconnection shall be incorporated in the fixed wiring according to the wiring rules.

# INSTRUCTIONS PERTAINING TO USER

## Installation

All operations relative to installation (electric connection) should be carried out by skilled personnel in conformity with the rules in force.

As for the specific instructions see part pertaining to installer.

## Use

Heating elements manual control (Fig. 1 - 2 - 2a - 3 - 3a - 3b - 3c)

Rotate the knob concerned to the position correspondant to the needs of cooking taking into consideration that to a higher number a higher heat supply corresponds, see table "use of heating elements".

## Double-circuit elements

To activate the second circuit press hard and turn knob (11) (release and return), the circuit will be connected for all positions decreasing from 11 to 1. To disconnect the circuit turn back the knob to position 0 (zero).

---

When pilot lights are lit, they indicate.

A - one or more heating elements are switched on.

B -the top temperature at the indicated spot is higher than 50° C.

**Some types of pilot lights will maintain some slight luminescence even after disconnection. That is quite normal.**

N.B.: - When one makes use of heating elements, we advise receptacles with flat bottom (Fig. 3) having same diameter or lightly higher than that of the hot area.

- Avoid overflows of liquid, therefore when boiling has happened, or in any case when liquid is heated, reduce the heat supply.

- Don't leave the heating elements on without receptacles on the top or with void pots and pans.

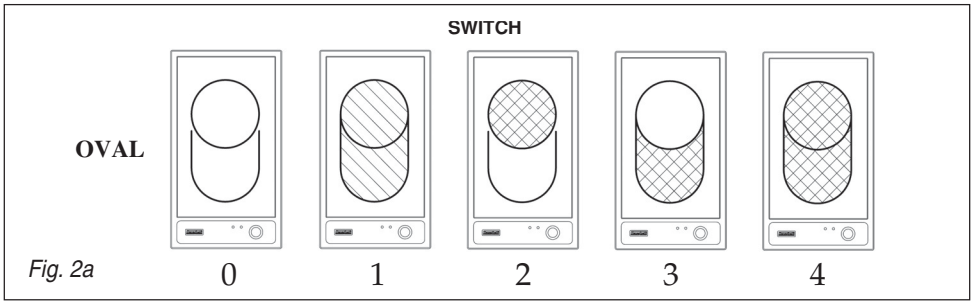
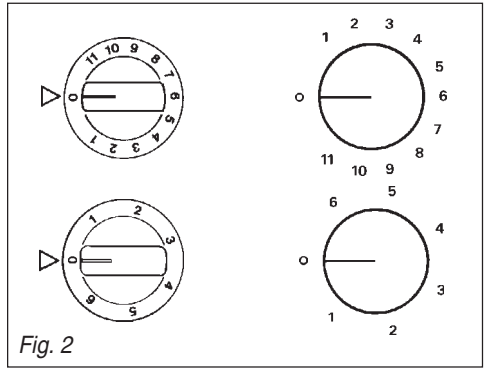
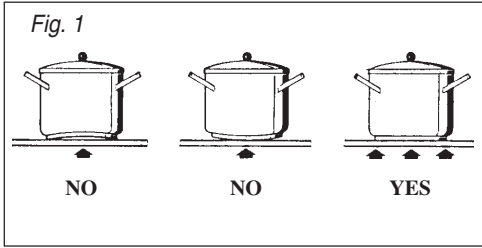
**In the event of even a slight fracture on the cooking surface, disconnect the electric power supply immediately.**

## Maintenance

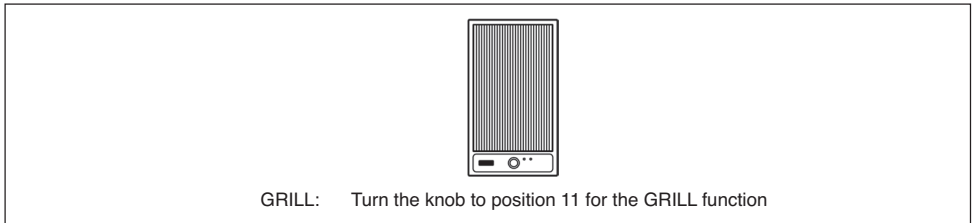
(Fig.-4) First of all remove stray food bits and grease drops from the cooking surface with the special scraper (fig. 4). Then clean the hot area as best as possible with SIDOL, STAHLFIX or other similar products with a papertowel, then rinse again with water and dry with a clean cloth.

Pieces of aluminum foil and plastic material which have inadvertently melted or sugar remains or highly sacchariferous food have to be removed immediately from the hot cooking area with the special scraper (fig. 4).-This is to avoid any possible damage to the surface of the top.

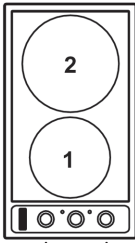
Under no circumstances should abrasive sponges or irritating chemical detergents be used such as oven sprays or spot removers.



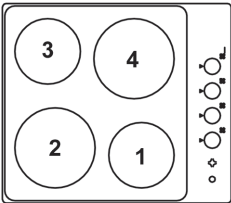
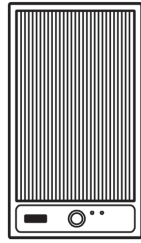
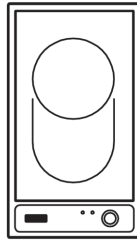
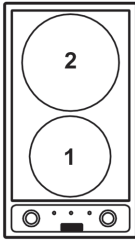
<b>USE OF HEATING ELEMENTS</b>		
switch	energy regulator	heat intensity
1	1-2	weak
2	3-4	gentle
3	5-6	slow
4	7-8	medium
5	9-10	strong
6	10-11	bright



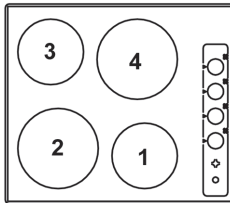
# TIPOLOGIA A



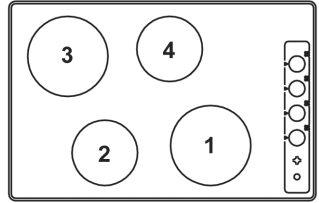
1 2



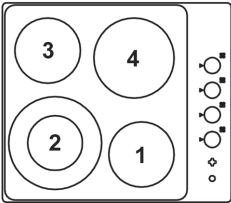
4  
3  
2  
1



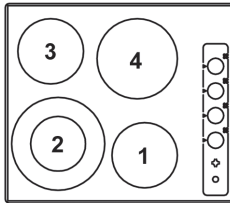
4  
3  
2  
1



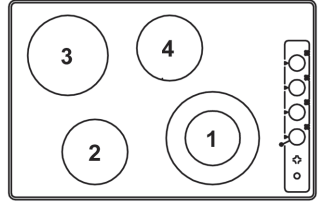
4  
3  
2  
1



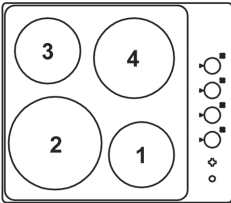
4  
3  
2  
1



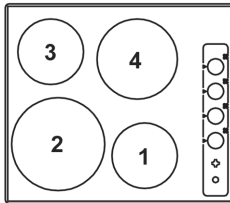
4  
3  
2  
1



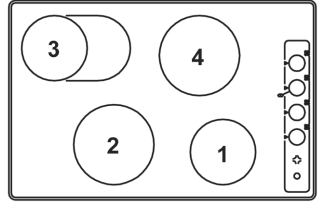
4  
3  
2  
1



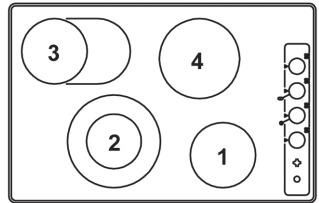
4  
3  
2  
1



4  
3  
2  
1



4  
3  
2  
1



4  
3  
2  
1

Fig. 3

# TIPOLOGIA A

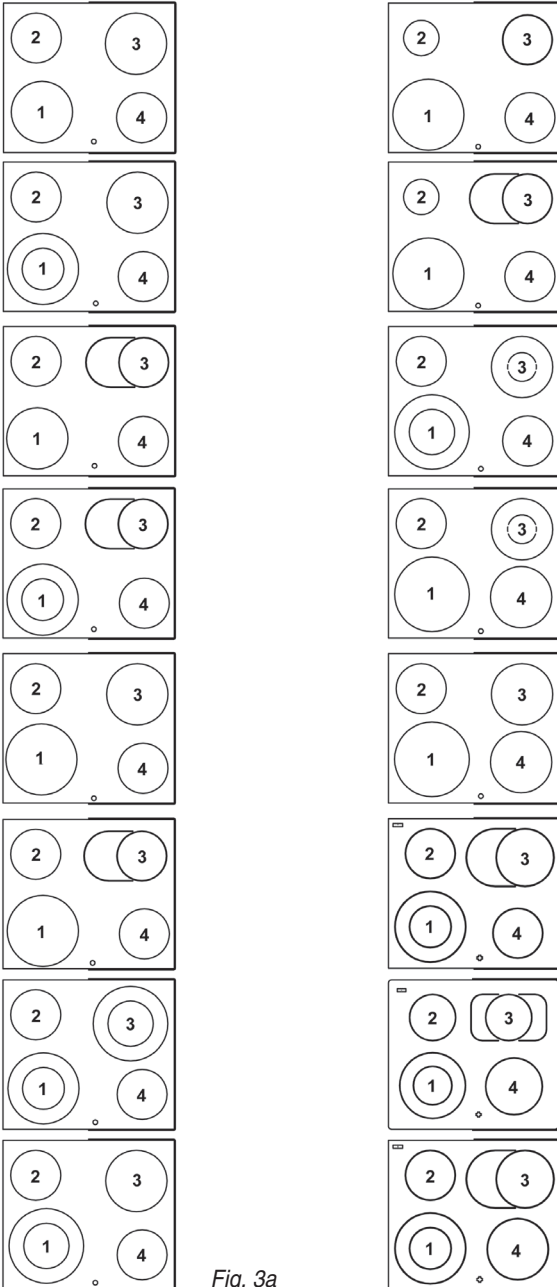
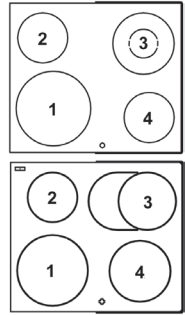


Fig. 3a



# TIPOLOGIA B

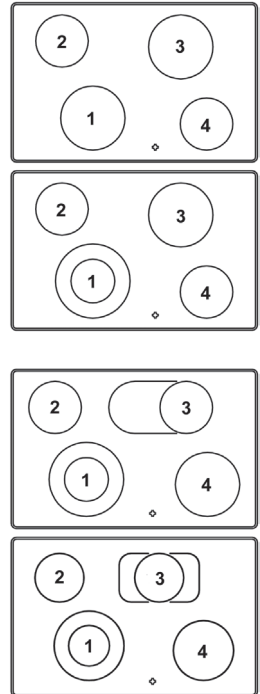
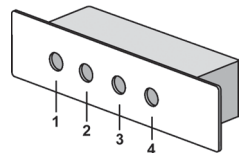


Fig. 3b - Abb. 3b - Afb. 3b



# TIPOLOGIA B

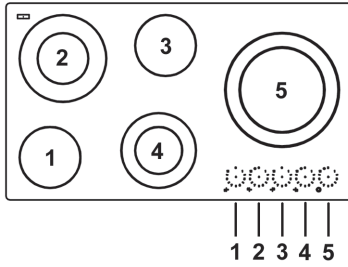
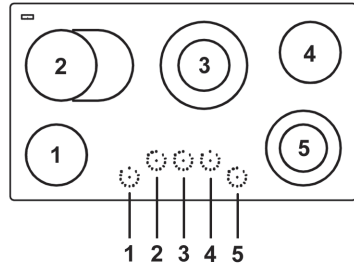
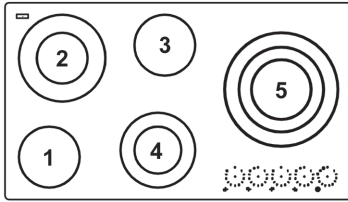


Fig. 3c

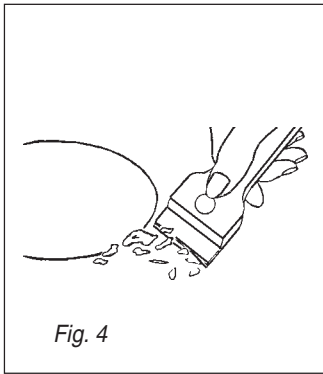


Fig. 4

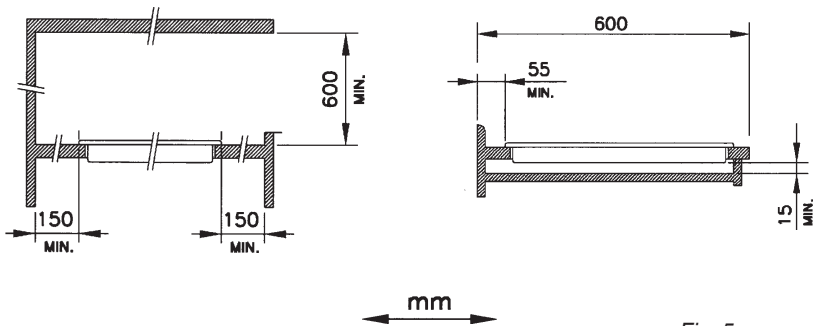


Fig. 5

## TIPOLOGIA A

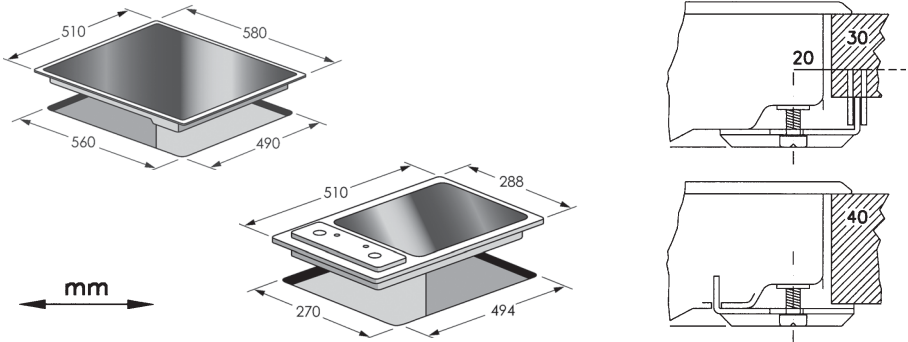


Fig. 5a

## TIPOLOGIA B

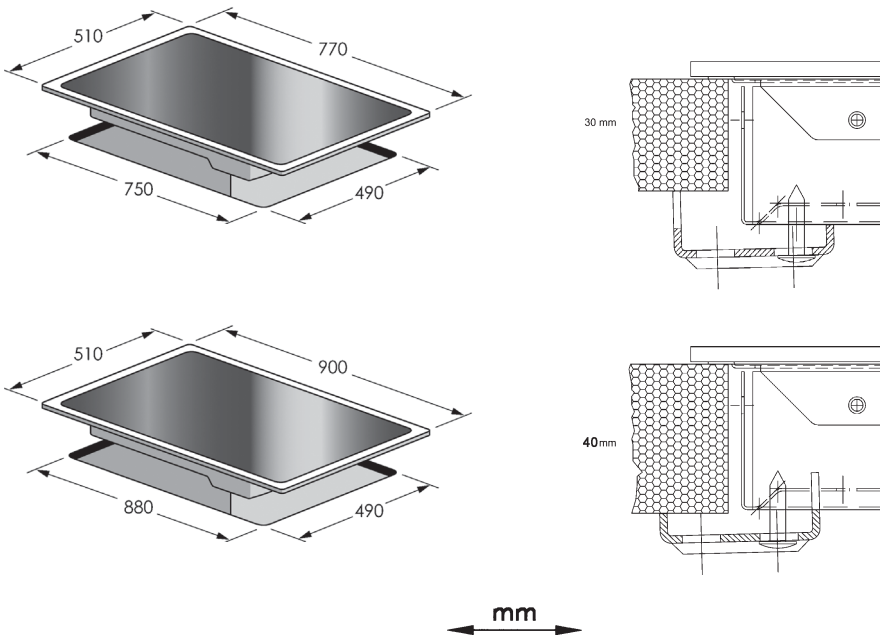
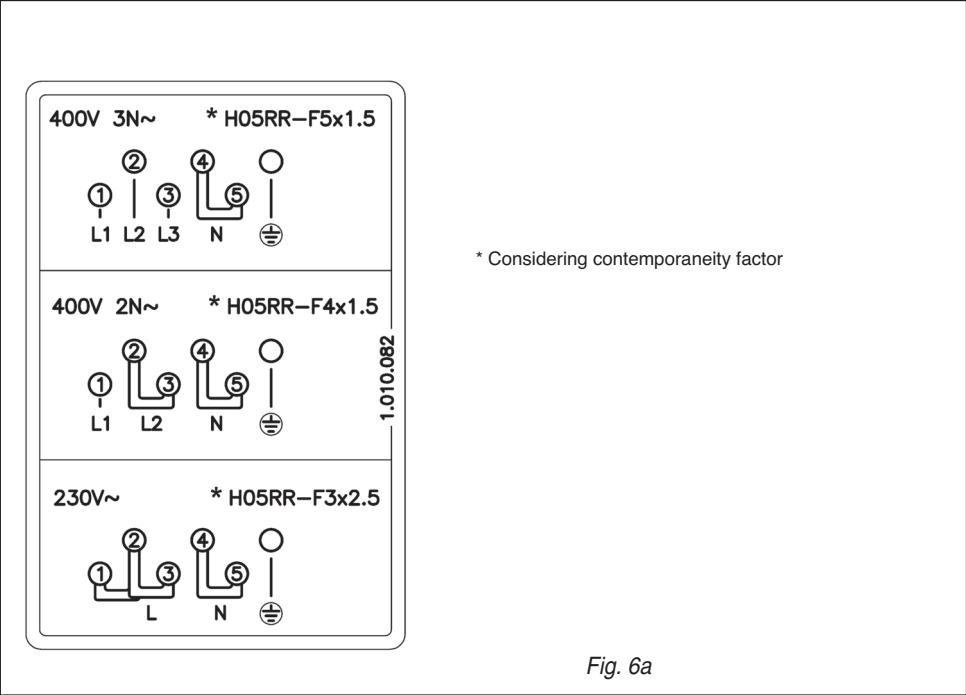
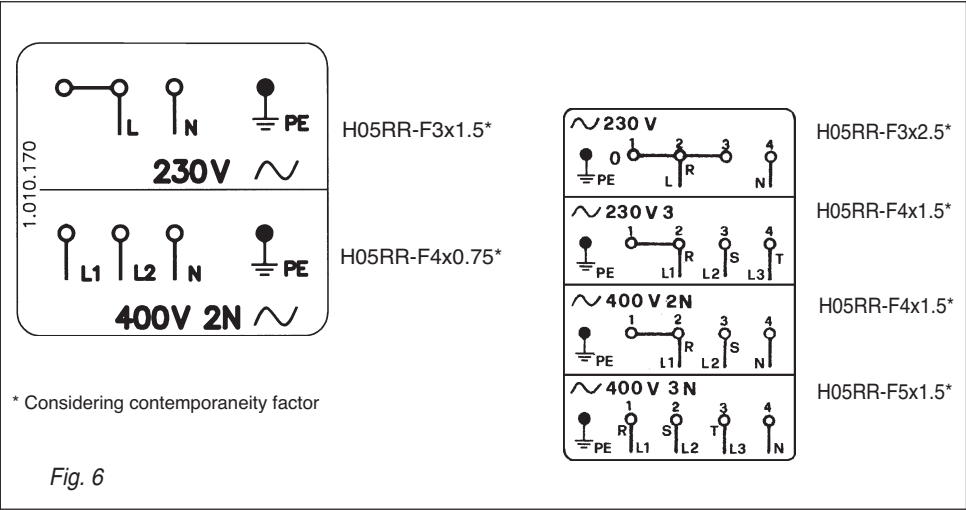


Fig. 5b



## **INSTRUCTIONS FOR THE INSTALLATION TECHNICIAN**

### **Installation**

These Instructions are for the qualified technician, as a guide to the installation, adjustment and maintenance, according to the laws and standards in force. Any of these operations must always be carried out when the appliance has been disconnected from the electric system.

### **Positioning**

(Fig. 5 - 5a - 5b). The appliance can be fitted into a working area as illustrated on the figure. Apply the seal supplied over the whole perimeter of the working area.

### **Electrical connection**

(Fig. 6 - 6a) Prior to carrying out the electrical connection, please ensure that:

- the plant characteristics are such as to follow what is indicated on the matrix plate placed at the bottom of the working area;
- that the plant is fitted with an efficient earth connection, following the standards and law provisions in force. The earth connection is compulsory in terms of the law.

Should there be no cable and/or plug on the equipment, use suitable absorption material for the working temperature as well, as indicated on the matrix plate. Under no circumstance must the cable reach a temperature above 50°C of the ambient temperature.

Should a direct connection to the network be required, it will be necessary to interpose an omnipolar switch with minimum aperture between the 3 mm. contacts, dimensioned to bear the plate load and it must follow the standards in force (the yellow/green earth cable must not be interrupted by the switch). The plug or omnipolar switch must be easily reached on the installed equipment.

The manufacturers decline any responsibility in the event of non-compliance with what is described above and the accident prevention norms not being respected and followed.

**To avoid all risk, if the power cable becomes damaged, it must only be replaced by the manufacturer, by an authorised service centre, or by a qualified electrician.**

## HEATING ELEMENTS

V	type		W	regulation	
~ 230 V	triple-circuit radiant	Ø 145	1200	commutator	0+6
	triple-circuit radiant	Ø 180 - Ø 195	1700 - 1900	commutator	0+6
	triple-circuit radiant	Ø 210	2100	commutator	0+6
	single-circuit radiant	Ø 145	1200	energy regulator	0+11
	single-circuit radiant	Ø 180 - Ø 195	1700 - 1900	energy regulator	0+11
	single-circuit radiant	Ø 210	2100	energy regulator	0+11
	mixed-circuit radiant/halogen	Ø 145	1200	energy regulator	0+11
	mixed-circuit radiant/halogen	Ø 180	1800	energy regulator	0+11
	double circuit radiant	Ø 210/120	2100	energy regulator	0+11
	double circuit oval radiant	145x250	1800	energy regulator	0+11
	double circuit oval radiant	145x250	1800	commutator	0+4
	single-circuit radiant	185x305	1500	energy regulator	0+11
	single-circuit radiant	Ø 100	600	switch	0+11
	double circuit radiant	Ø 230/140	2500	energy regulator	0+11
	double circuit radiant	Ø 180/80-100-120	1700	energy regulator	0+11
	double circuit oval radiant	170x165	2200	energy regulator	0+11
	double circuit rectangular radiant	140x240	200	energy regulator	0+11

---

The manufacturer declines all responsibility for possible inaccuracies contained in this pamphlet, due to printing or copying errors. We reserve the right to make on our own products those changes to be considered necessary or useful, without jeopardizing the essential characteristics.

---

**COD. 1.003.57.0**