

# omega

installation  
and operating  
instructions



OA412FRW  
rangehood



"IMPORTANT"

"INSTALLATION HEIGHTS IN AUSTRALIA"

- 1) Where an Electric Cooktop is installed under this Rangehood  
THE MINIMUM DISTANCE between the Top of the Cooktop  
and the underside of the Rangehood - **MUST BE 60cm.**
- 2) When this Rangehood is installed over a Gas fuelled Cooktop.  
THE MINIMUM DISTANCE between the Top of the Pot rests  
and the underside of the Hood - **MUST BE 65cm.**



INSTRUCTIONS FOR USE  
GEBRAUCHSANWEISUNG  
INSTRUCTIONS POUR L'EMPLOI  
ISTRUZIONI PER L'USO



## English

### WARNING

---

- *The distance between the hob and the lower part of the hood must be at least 65 cm.*
- *The air collected must not be conveyed into a duct used to blow off smokes from appliances fed with an energy other than electricity (central heating systems, thermostats, water-heaters, etc.).*
- *Comply with the official instructions provided by the competent authorities in merit when installing the disposal duct. In addition, exhaust air should not be discharged into a wall cavity, unless the cavity is designed for that purpose.*
- *The room must be well aerated in case a hood and some other heat equipment fed with an energy other than electricity (gas, oil, coal heaters, etc) operate at the same time.  
In fact the intake hood, disposing of air, could create a vacuum in the room.  
The vacuum should not exceed 0,04mbar.  
This prevents the gas exhausted by the heat source from being intaken again.  
It is therefore advisable to ensure the room contains air taps able to ensure a steady flow of fresh air.*
- *This appliance has such technical particulars that it belongs to class II insulation, therefore it must not be earthed.*
- *The following warning is valid in the United Kingdom only:*

*As the colours of the wires in the mains lead of this appliance may not correspond with the coloured markings identifying the terminals in your plug, proceed as follows:*

- the wire which is coloured blue must be connected to the terminal which is marked with the letter N or coloured black;*
- the wire which is coloured brown must be connected to the terminal which is marked with the letter L or coloured red.*
- neither wire is to be connected to the earth terminal of a three-pin plug.*

- *When making the electrical connections, check that the voltage values correspond to those indicated on the data plate inside the appliance itself.  
In case your appliance is not furnished with a non separating flexible cable and has no plug, or has not got any other device ensuring omnipolar disconnection from the electricity main, with a contact opening distance of at least 3 mm, such separating device ensuring disconnection from the main must be included in the fixed installation.*
- *Always switch off the electricity supply before carrying out any cleaning or servicing operations on the appliance.*

### USE

---

- *Avoid using materials which could cause spurts of flame (flambées) near the appliance.*
- *When frying, take particular care to prevent oil and grease from catching fire. Already used oil is especially dangerous in this respect. Do not use uncovered electric grates.*
- *To avoid possible risks of fire always comply with the indicated instructions when cleaning anti-grease filters and when removing grease deposits from the appliance.*

### MAINTENANCE

---

- *Thorough servicing guarantees correct and long-lasting operation.*
- *Particular care must be paid to the grease grille which must be periodically cleaned in relation to use (at least once every two months). Remove the grease grille and wash them either by hand or in the dishwasher using neutral detergent.*
- *Use lukewarm water and neutral detergent to clean painted appliances. Never use products containing abrasives.  
Take great care to prevent the use of corrosive or abrasive products when cleaning steel, copper or brass appliances. It is advisable to use specialized products according to the manufacturer's instructions.*

## DESCRIPTION

---

The appliance can be used in both the filtering and ducting version.

In the **Filtering** version (Fig. 1/2), the air and vapours conveyed by the appliance are depurated by activated charcoal fiber panel and recirculated around the room. **ATTENTION:** Using the hood as a filtering one it is necessary to use the activated charcoal fiber panel(s) that purifies the air sent back into the room.

In the **Ducting** version (Fig. 3), cooking vapours and odours are conveyed straight outside by a disposal duct which passes through the wall/ceiling. Use of activated charcoal fiber panel is therefore unnecessary.

According to the model you have bought, the appliance can include 1 or 2 motors. In the 1 motor version the flange for the air to be exhausted has not got a central position, but it is slightly on the left.

## INSTALLATION

---

Before assembling, in order to manoeuvre the appliance more easily, take off the **grease grille** (Fig. 3): pull the front of the grille upwards; desinsert the back from its seat.

To compensate possible depth voids between the appliance and the wall, a plastic spacing bar to be fixed at the back of the appliance by means of the three screws A is included (Fig. 5). Cut the spacing bar according to the distance to be adjusted.

### ASSEMBLY UNDER A PENSILE CUPBOARD

The following operations are essential for assembly:

- Install the wiring system
- Prepare the air venting hole if your appliance is to be installed in the Ducting version.

The filtering version of the apparatus can be assembled as indicated in Fig. 1, the air venting system being upwards, or as indicated in Fig. 2, the air venting system being frontwards.

For installation according to Fig. 2, do as follows:

1. Take off the air venting flange and put on the supplied tap T instead (Fig. 6).
2. Take off plate P unscrewing the 3 screws (Fig. 6).
3. Take off the front plate F unscrewing the 2 screws A (Fig. 6) and put a new plate according to your requirement (minimum height 80 mm).

### Fixation as indicated in Fig. 7:

Using the relative template make the 4 necessary fixing holes in the bottom of the cupboard and cut the air venting hole: the opening for the air venting is not necessary for the filtering version of Fig. 2. Holding the hood against the bottom of the cupboard and fix it by means of the 4 supplied metric screws.

### Fixing as indicated in Fig. 8 (upon request):

Fix the brackets onto the pensile minding that they need to be positioned correctly (see Figure). Then fix the apparatus by means of the brackets.

Ducting version: connect the flange of the hood with the air venting hole made previously in the wall/ceiling by means of an adequate tube.

Make the electrical connections.

## OPERATION

---

### Controls of Fig. 9:

Switch C: position A (automatic), the motor and the light are automatically regulated ON or OFF by the opening/closing of the truck. Position M (manual), the light is on. Position 0, the light is off.

Switch B: it select the speed of the motor.

Opening the truck, the motor works automatically at the last working speed.

### Controls of Fig. 10:

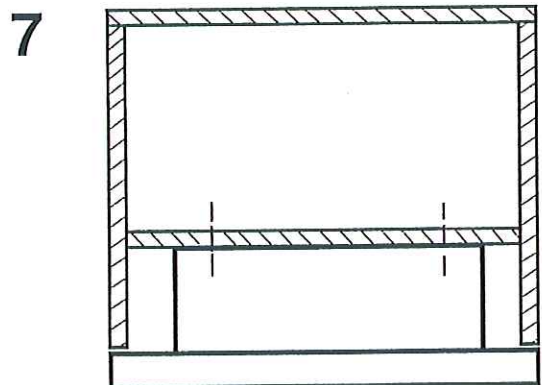
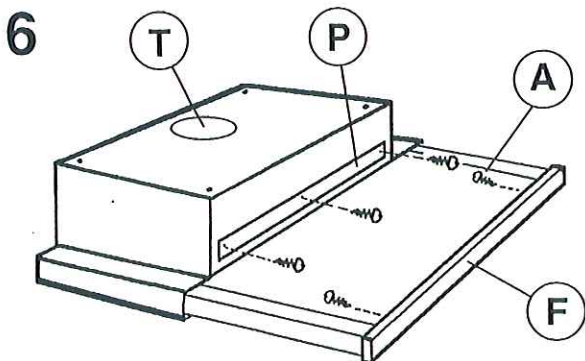
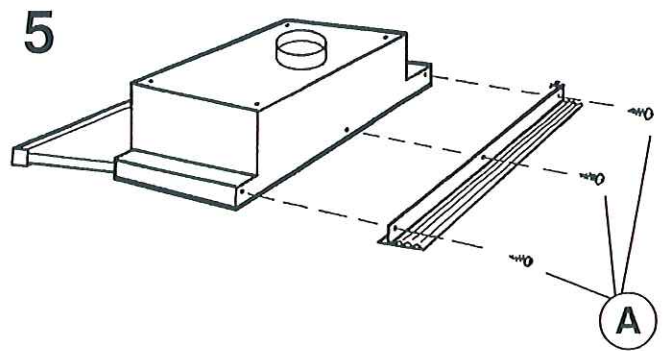
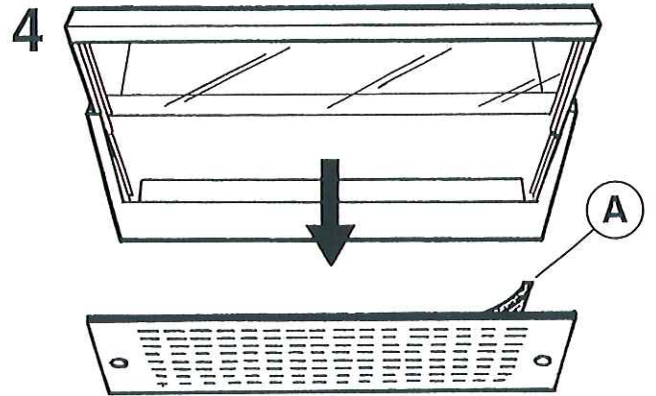
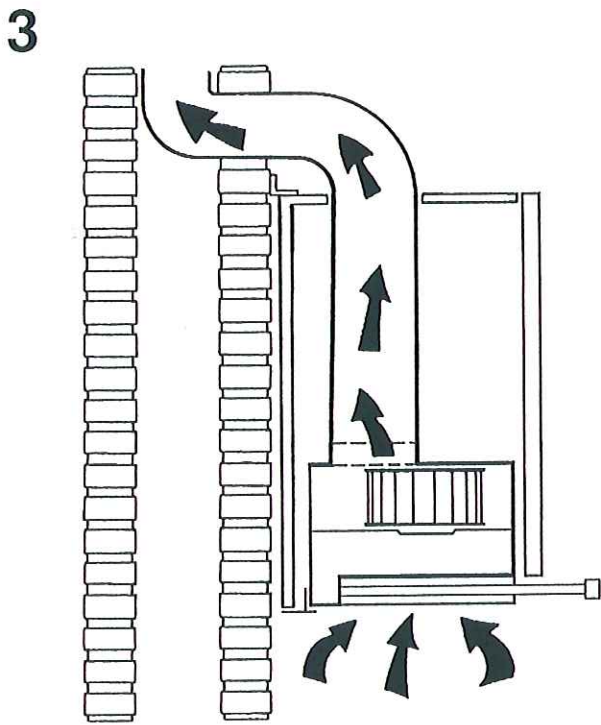
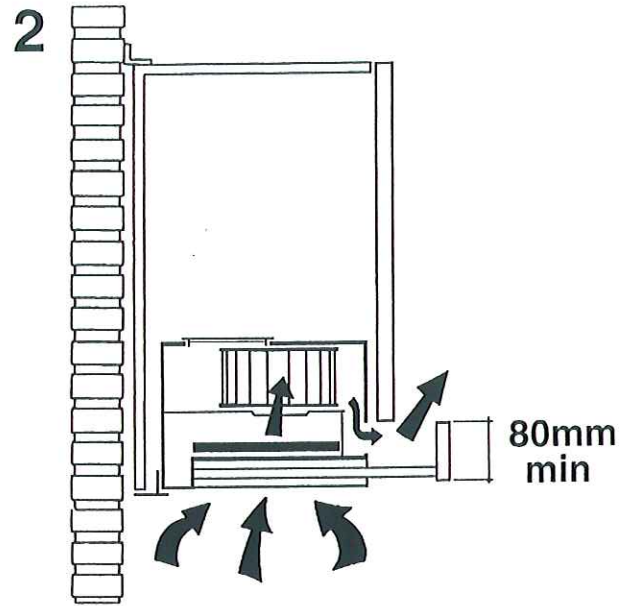
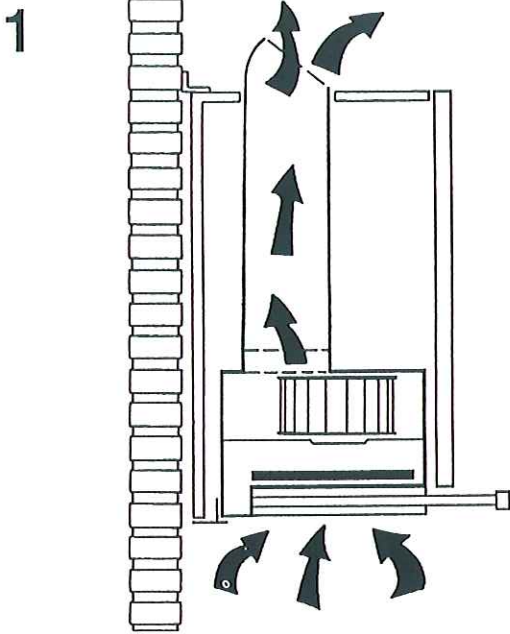
Switch D: position A (automatic), the motor and the light are automatically regulated ON or OFF by the opening/closing of the truck. Position M (manual), the light is on. Position 0, the light is off.

Opening slightly the truck, the motor works at the I speed; opening a bit more, the motor works at the II speed; opening totally the truck, the motor works at the III speed.

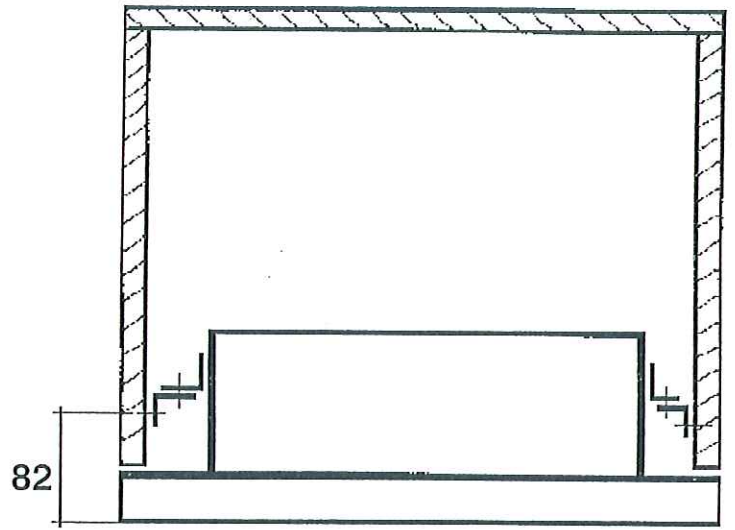
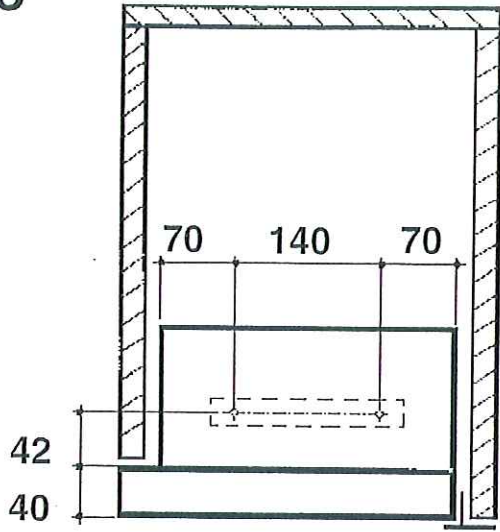
In case the hood is a **filtering** version one, it is necessary to change the activated charcoal fiber panel according to utilization about every six month. To remove the fiber panel A (Fig. 4):

- open the truck pulling it the front.
- take off the anti-grease grill: pull the front of the grille upwards; desinsert the back from its seat.
- remove the fiber panel (the panel is inside the anti-grease grill).

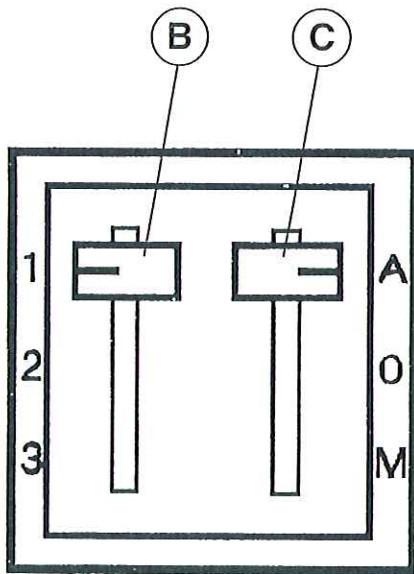
If the **light bulbs** need changing, slacken the light cover by disconnecting the screw and remove the bulb itself (Fig. 11). Replace with a bulb of the same type.



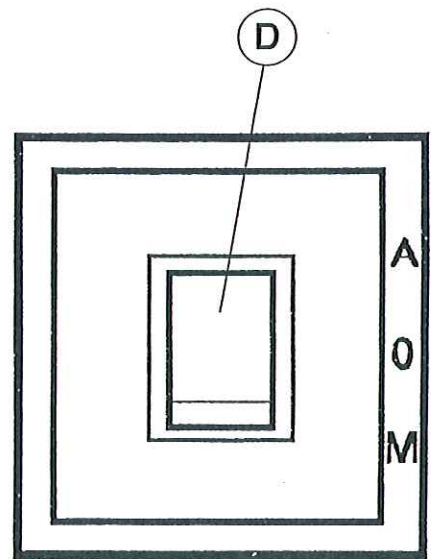
8



9



10



11

