

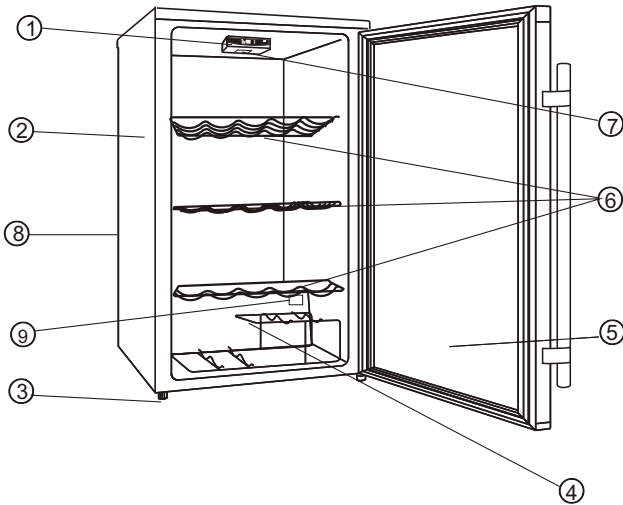
**omega**

installation  
and operating  
instructions



OWF145X  
wine cabinet

# PARTS AND FEATURES



- 1. Operation and Display Panel**
- 2. Cabinet**
- 3. Levelling Leg**
- 4. Wine Rack**
- 5. Glass Door**
- 6. Chrome Shelves**
- 7. Interior Lamp**
- 8. Electrical Control Assembly (at the back)**
- 9. Temperature Sensor**

## **Important Safety Instructions**

- Read all instructions before using the appliance.
- Child entrapment and suffocation are not problems of the past. Junked or abandoned appliances are still dangerous... even if they will "just sit in the garage a few days."
- **Before you throw away your old wine cooler:**  
Take off the door, leave the shelves in place, so that children may not easily climb inside.
- Never allow children to operate, play with, or crawl inside the appliance.
- Never clean appliance parts with flammable fluids. The fumes can create a fire hazard or explosion.
- Do not store or use gasoline or any other flammable vapors and liquids in the vicinity of this or any other appliance. The fumes can create a fire or explosion.

## **INSTALLATION INSTRUCTIONS**

### **Before Using Your Wine Cooler**

- Remove the exterior and interior packing, including protective foam on door panels .
- Check to be sure the following parts are included:
  - 3 slide out shelves
  - 1 wine rack
  - 1 Instruction manual
- Before connecting the appliance to the power source, let it stand upright for approximately 2 hours. This will reduce the possibility of a malfunction in the cooling system from handling during transportation.
- Clean the interior surface with lukewarm water using a soft cloth.

### **Installation of Your Wine Cooler**

- Place your appliance on a floor that is strong enough to support the appliance when it is fully loaded. To level your appliance, adjust the legs at the front of the appliance.
- Allow 5 inches of space between the back and sides of the appliance, which allows the proper air circulation to cool the compressor.
- Locate the appliance away from direct sunlight and sources of heat (stove, heater, radiator, etc.). Direct sunlight may affect the acrylic coating and heat sources may increase electrical consumption. Extreme cold ambient temperatures may also cause the appliance not to perform properly.
- Avoid locating the appliance in moist areas. Too much moisture in the air will cause frost to form quickly on the evaporator.

- Plug the appliance into an exclusive properly installed-grounded wall outlet. Do not under any circumstances cut or remove the third (ground) prong from the power cord. Any questions concerning power and or grounding should be directed toward a certified electrician or an authorized Products service center.

## Reversing the Door Swing of Your Wine Cooler

This wine cooler has the capability of either opening the door from the left or right side. The unit is delivered to you with the door opening from the right side. Should you desire to reverse the opening direction, please follow these instructions.

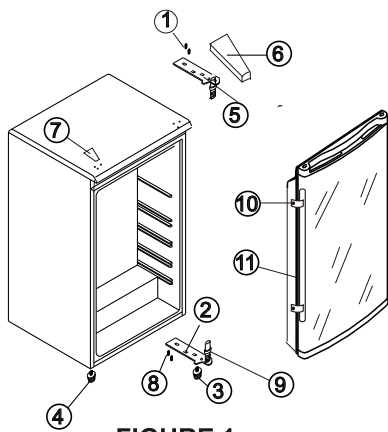
### NOTE:

**Before Reversing the door ,the power must be shut off.**

**All parts removed must be saved to do the reinstallation of the door.**

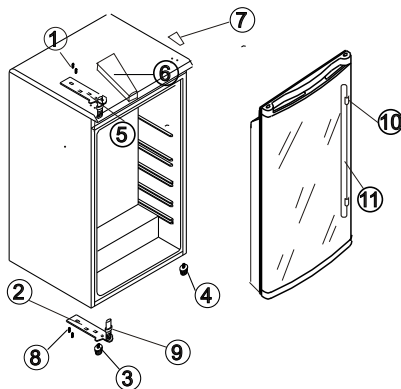
This wine cooler has been built with the door hinges on the right. If you wish to change the opening direction, follow the instructions below:

1. Remove the upper hinge cover(6) first.
2. Remove the two screws (1) that hold the upper hinge (5) (right side) to the frame. Take away the upper hinge (5).
3. Lift the door and place it on a padded surface to prevent scratching it.
4. Remove the two screws (10) that hold the handle (11) (on the right side frame). Change the handle to the left side frame.
5. Remove the two screws(8) that hold the lower hinge(2) and Make sure to Remove the lower hinge(2).
6. Remove the left front leg (4) and transfer it to the right side.
7. Remove the hole cover plate(7) to the right side.
8. Before placing this lower hinge(2), remove the bolt-pin (9) and reverse the direction of the lower hinge(2). Then install the lower hinge (2) onto the left side of the lower frame with two screws (8).
9. Insert the bolt-pin(9) to the lower hinge (2).
10. Set the door to its place making sure the door seat at the lower hinge(2).
11. While holding the door in the closed position secure the upper hinge (5) in the top frame of left side with two screws (1). Please remember that do not tighten the two screws(1) until the top of the door is levelled with the counter top.
12. Install the upper hinge cover(6) on the upper hinge.



**FIGURE 1**

Door opening from left side



**FIGURE 2**

Door opening from right side

## IMPORTANT SAFEGUARDS

Do not store food in wine cooler, as interior temperature may not get cool enough to prevent spoilage. As a natural result of condensation, in summer months or area of high humidity, the glass door may built up moisture on the outside. Just wipe it away.

## OPERATING YOUR WINE COOLER

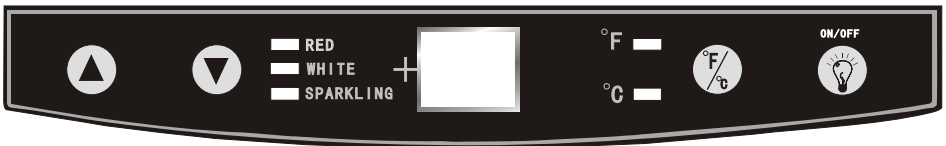
It is recommended you install the wine cooler in a place where the ambient temperature is between 22-25 degree Celsius .If the ambient temperature in above or below the recommended temperature, conditions may cause the interior temperature to fluctuate.

If the interior light is left on, the temperature inside the wine cooler will be higher.

### Recommended Temperatures for chilling Wine

Red wines:	15.5-18.5°C
Dry/White Wines	10-15°C
Sparkling Wines	7.2-9.5°C
Rose Wines	9.5-10.5°C

The above temperatures may fluctuate depending on whether or not the interior bulb is on or off or whether the bottles are located on the lower/middle or lower section.



## HOW TO USE THE BUTTONS ON THE DISPLAY PANEL:

You can set the temperature as you desire by pushing the button (▲) or (▼). When you push the two buttons for first time, the LED readout will show the original temperature set at previous time(the temperature preset at the factory is 50°F). The temperature that you desire to set will increase 1°F or 1°C if you push the (▲)once, on the contrary the temperature will decrease 1°F or 1°C if you push the (▼)once.

When you store mostly red wines, the temperature which you control by pushing the above two buttons needs to be set between 15.5 to 18.5°C and the LED lamp beside "RED" will be lit red.

When you store mostly white wines, the temperature needs to be set at between 10 to 15°C and the RED lamp beside "WHITE" will be lit green. When you store mostly sparkling wines the temperature needs to be set at between 7.2 to 9.5°C and the LED lamp beside "SPARKLING" will be lit amber.

You can select temperature display setting from Fahrenheit to Celsius degree by pushing the button marked F/C. Fahrenheit degree indicator will appear in red color in the display marked F and the Celsius degrees indicator will appear in yellow color in the display marked °C. You can turn the interior light on or off by pushing the button marked ON/OFF symbol.

### **Shelves**

Shelving is chrome plated. To accommodate different size bottles, they can be moved up or down by sliding them out of the tracks. The shelves are designed to accommodate the maximum amount of bottles.

### **Wine Rack**

There is an additional wine rack at bottom section of the unit where you can store up to 6 wine bottles. This rack is removable for cleaning purpose.

### **NOTE:**

**When you use the wine cooler for the first time or restart the wine cooler after it has been turned off for long time , there could be a few degrees variance between the temperature you select and the one indicated on the LED readout. This is normal and it is due to the length of the activation time . Once the wine cooler is running for a few hours everything will be back to normal.**

**Also, there is a 4 to 6 C variance between the top and bottom shelves of the wine chiller. Therefore, If you have set the wine cooler for red wine only and the temperature reads 16 C and you want to place a mix of white and red wines, you should place the wine bottles on the bottom shelves and the red wines on the top shelves.**

## **CARE AND MAINTENANCE**

### **CHANGING THE LIGHT BULB**

Note: All parts removed must be saved to do the replacement of the light bulb. Before removing the light bulb, either unplug the refrigerator or disconnect the electricity leading into the refrigerator at the main power supply. Failure to do so could result in electrical shock or personal injury. Light bulb should not exceed 10 watts.

### **Cleaning Your Wine Cooler**

- Unplug the wine cooler, and remove the bottles.
- Wash the inside with a warm water and baking soda solution. The solution should be about 2 tablespoons of baking soda to a quart of water.
- Wash the shelves and trays with a mild detergent solution.
- The outside of the wine cooler should be cleaned with mild detergent and warm water.
- It may also be necessary to periodically wipe the bottom part of the storage area, as the wine cooler is designed to retain humidity, and condensation may collect there.

### **Maintenance of Your Wine Cooler**

#### • Power Failure

Most power failures are corrected within a few hours and should not affect the temperature of your wine cooler if you minimize the number of times the door is opened. If the power is going to be off for a longer period of time, you need to take the proper steps to protect your contents.

### **Vacation Time**

During long absences, remove all the bottles; unplug your wine cooler, clean your wine cooler, and leave the door open slightly to avoid possible formation of condensation, mold, or odors.

### **Moving Your Wine Cooler**

- Remove all the bottles.
- Securely tape down all loose items inside your wine cooler.
- Turn the levelling screws up to the base to avoid damage.
- Tape the doors shut.
- Be sure the wine cooler stays in the upright position during transportation.

## Troubleshooting

You can solve many common wine cooler problems easily, saving you the cost of a possible service call. Try the suggestions below to see if you can solve the problem before calling the servicer.

### TROUBLESHOOTING GUIDE

PROBLEM	POSSIBLE CAUSE
Wine cooler does not operate.	Not plugged in. The circuit breaker tripped or blown fuse.
Wine cooler is not cold enough.	Check to be sure the temperature control setting. External environment may require a higher setting. The door is opened too often. The door is not closed completely. The door gasket does not seal properly. The wine cooler does not have the correct clearances.
Compressor turns on and off frequently	The room temperature is hotter than normal. A large amount of warm wine has been added to the wine cooler. The door is opened too often. The door is not closed completely. The temperature control is not set correctly. The door gasket does not seal properly. The wine cooler does not have the correct clearances.
The light does not work.	The home circuit breaker or fuse has tripped. The wine cooler is unplugged. The bulb has burned out(see maintenance section for the replacement procedure). The switch is in the "OFF" position.

Vibrations.	Check to assure that the wine cooler is level.
The wine cooler seems to make too much noise.	The rattling noise may come from the flow of the refrigerant, which is normal. As each cycle ends, you may hear gurgling sounds caused by the flow of refrigerant in your wine cooler. Contraction and expansion of the inside walls may cause popping and crackling noises. The wine cooler is not level.
The door will not close properly.	The wine cooler is not level. The doors were reversed and not properly installed. The gasket is dirty. The shelves are out of position.

**Technical Specifications:**

For detailed specifications, please refer to the nameplate at the back of the wine Cooler. The specifications are subject to change without prior notice due to products Improvement.

***\* The appliance is not intended for use by young children or infirm persons without supervision.***

***\* Young children should be supervised to ensure that they do not play with the appliance.***

***\* If the supply cord is damaged, it must be replaced by the manufacturer or its service agent or a similarly qualified person in order to avoid a hazard.***

***\* WARNING: Keep ventilation openings, in the appliance enclosure or in the built-in structure, clear of obstruction***

***WARNING: Do not use mechanical devices or other means to accelerate the defrosting process, other than those recommended by the manufacturer***

***WARNING: Do not use electrical appliances inside the food storage compartments of the appliance, unless they are of the type recommended by the manufacturer***

# Warranty

**THIS WARRANTY IS VALID IN AUSTRALIA & NEW ZEALAND.**

**Note**

Please complete the following details when you have unpacked the product and retain this card with the purchase invoice or sales docket.

**Warranty**

These products are covered by a Warranty in addition to all rights available to you by statute. The warranty is for a period of twenty four (24) months from the date of purchase, subject to the following conditions. The warranty covers rectification free of charge of any fault arising from defective materials or components, or faulty workmanship. The product will be repaired or replaced at the option of Omega Appliances.

The conditions above mentioned are:

1. that the purchaser carefully follows all instructions packed with the product;
2. that the purchaser carefully follows the installation instructions provided and complies with the electrical wiring regulations, gas and/or plumbing codes;
3. that the purchaser carefully follows the instructions provided in the owner's handbook relating to the proper use and care of the product and does not use the product for any purpose other than the domestic use for which it has been designed;
4. that the product was purchased and installed in Australia;
5. that this Warranty does not extend to:
  - a) optional glass lids for hobs apart from claims which relate to mechanical or physical damage thereof at the date of purchase;
  - b) light globes (with the exception of microwave oven globes)
  - c) damage to ceramic glass caused by liquid or solid spill overs, lack of maintenance or impact. Please read the booklet explaining about liquids containing sugar.
  - d) damage to the surface coatings caused by cleaning or maintenance using products not recommended by the owners handbook;
  - e) defects caused by normal wear and tear, accident, negligence, alteration or misuse.

- f) a product dismantled, repaired or serviced by any serviceperson other than an authorised employee or agent of Omega Appliances.
  - g) damage or defects caused by fans being installed externally.  
**(FANS ARE DESIGNED FOR INDOOR USE ONLY)**
6. The provision of service under this Warranty is limited by the boundary of the nearest service agent's area. Travelling cost incurred for service outside this area is not covered by this warranty and will incur commercial cost to be paid by the customer regulated by the number of kilometres travelled beyond the service area.
7. The cost associated with the hire of extension ladders and scaffolding to service fans installed on ceilings greater than 3 metres will not be covered by this warranty. Such costs will be borne by the customer.

For service, please contact your local Omega Smeg office or the dealer/retailer from whom you purchased the product. If you are unable to establish the date of purchase, or the fault is not covered by this warranty, or if the product is found to be in working order, you will be required to bear all service call charges.

**PRODUCT TYPE**.....  
**MODEL NUMBER**.....  
**SERIAL NUMBER**.....  
**DATE OF PURCHASE**.....  
**INVOICE/SALES DOCKET NO:**.....  
**PURCHASERS NAME**.....  
**ADDRESS**.....  
.....  
**RETAILER'S/DEALER'S NAME**.....  
**ADDRESS**.....  
.....

**contacts**

**SYDNEY – HEAD OFFICE**

Telephone (02) 93845678  
Facsimile (02) 96665529

**QUEENSLAND**

Telephone (07) 32660444  
Facsimile (07) 32667511

**NEWCASTLE**

Telephone (02) 49609266  
Facsimile (02) 49609277

**CANBERRA**

Telephone (02) 62807099  
Facsimile (02) 62807137

**WAGGA WAGGA**

Telephone (02) 69228600  
Facsimile (02) 69228611

**VICTORIA**

Telephone (03) 97951177  
Facsimile (03) 97951017

**TASMANIA**

Telephone (03) 63348166  
Facsimile (03) 63348177

**SOUTH AUSTRALIA**

Telephone (08) 83461888  
Facsimile (08) 83401034

**WESTERN AUSTRALIA**

Telephone (08) 93565555  
Facsimile (08) 93565556

