

microwave oven and grill, 25 litre, 900 watt microwave oven with 1200 watt grill



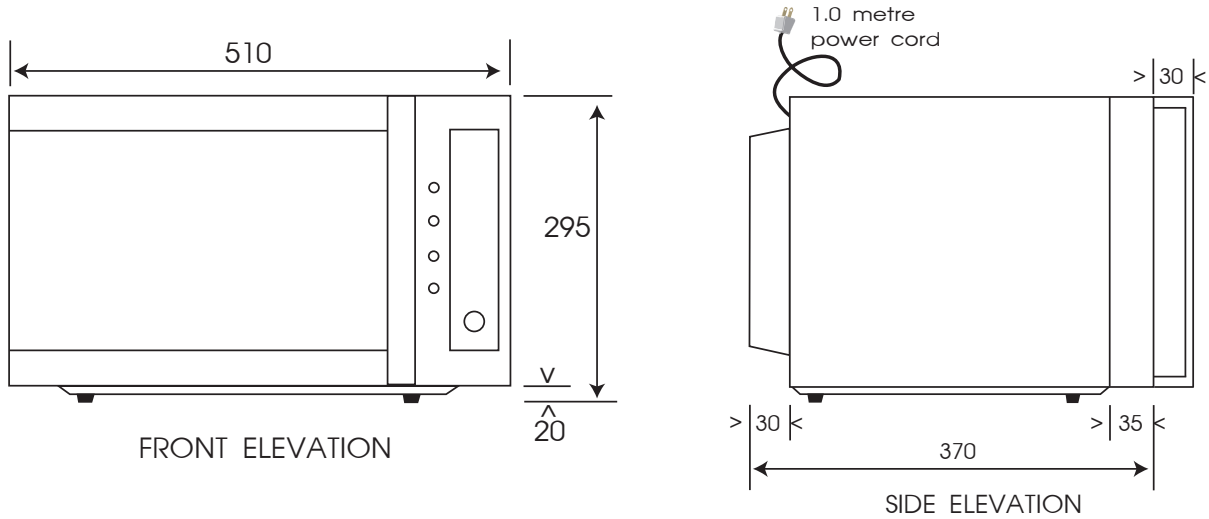
dimensions	510mmW x 370mmD x 295mmH
finish	stainless steel, interior and exterior
oven cavity	330mmW x 330mmD x 212mmH = 23.1 litres plus roof and side cavities (2.3 litres) = 25.4 litres
turntable	315mm diameter tempered glass
hinging	left-hand
power	microwave: 1400 watt input, 900 watt output grill: 1200 watt
current	6.0 amps. 1.0 metre power cord for plugging to standard 10 amp GPO
microwave	900 watt, 5 power levels
defrost	1.9kg maximum
timer	59 minutes maximum, variable, auto stop
supplied	elevated grill grid tempered glass turntable instructions
option	60cm stainless steel trimkit OTK25X, code 14310
warranty	two years parts and labour



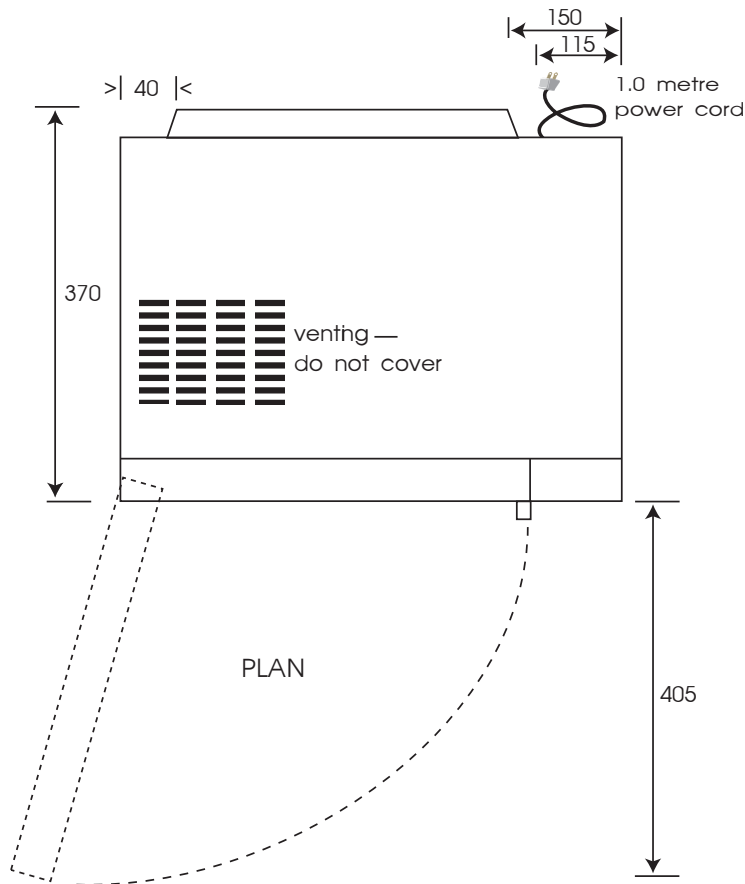
OM250GXA shown with OTK25X 60cm trimkit

trimkit dimensions: 376mmH x 598mmW x 21mmD
internal dimensions: 287mmH x 518mmW x 21mmD

microwave oven and grill, 25 litre, 900 watt microwave oven with 1200 watt grill



NB: drawings are not to scale — they are to assist only



packaged dimensions	570mm x 440mm x 330mm
volume	0.083m ³
net weight	16.5kg
gross weight	18.0kg
electricity supply	240 volt, 50 Hz
power consumption	1400 watts
current	5.83 amps
output	900 watt microwave
grill	1200 watt
operating frequency	2450 MHz
current	5.84 amps
power cord	connected 1.0 metre, 3-pin plug for direct plugging to standard 10 amp GPO
supplied	<ul style="list-style-type: none"> • instructions for installation, operation, maintenance • 315mm diameter tempered glass turntable • turntable guide • elevated chrome grill grid

WARNING: technical specifications and product sizes can be varied by the manufacturer without notice. Cutouts for appliances should only be by physical product measurements. The above information is indicative only.