

omega



installation
and operating
instructions




omega
OR603TWA
retractable
rangehood

English

WARNING

- The distance between the supporting surface for the cooking vessels on the hob and the lower part of the hood must be at least 65 cm. If the instructions for installation for the hob specify a greater distance, this has to be taken into account.
- The air collected must not be conveyed into a duct used to blow off smokes from appliances fed with an energy other than electricity (central heating systems, thermosiphons, water-heaters, etc.).
- Comply with the official instructions provided by the competent authorities in merit when installing the disposal duct. In addition, exhaust air should not be discharged into a wall cavity, unless the cavity is designed for that purpose.
- The room must be well aerated in case a hood and some other heat equipment fed with an energy other than electricity (gas, oil, coal heaters, etc) operate at the same time. In fact the intake hood, disposing of air, could create a vacuum in the room. The vacuum should not exceed 0,04mbar. This prevents the gas exhausted by the heat source from being intaken again. It is therefore advisable to ensure the room contains air taps able to ensure a steady flow of fresh air.
- **Check the data label inside the appliance; if the symbol () is printed, read the following: this appliance has such technical particulars that it belongs to class II insulation, therefore it must not be earthed.**
The following warning is valid in the United Kingdom only: in case your cable is not furnished with a plug, read the following instructions; as the colours of the wires in the mains lead of this appliance may not correspond with the coloured markings identifying the terminals in your plug, proceed as follows:
 - the wire which is coloured blue must be connected to the terminal which is marked with the letter N or coloured black;
 - the wire which is coloured brown must be connected to the terminal which is marked with the letter L or coloured red.
 - terminal of a three-pin plug.
- **Check the data label inside the appliance; if the symbol () is NOT printed, read the following: ATTENTION: This appliance must be grounded.** When making the electrical connections, check that the current socket has a ground connection. The following warning is valid in the United Kingdom only: as the colours of the wires in the mains lead of this appliance may not correspond with the coloured markings identifying the terminals in

your plug, proceed as follows:

- the wire which is coloured green and yellow must be connected to the terminal in the plug which is marked with the letter E or by the earth symbol [], or coloured green or green and yellow;
 - the wire which is coloured blue must be connected to the terminal which is marked with the letter N or coloured black;
 - the wire which is coloured brown must be connected to the terminal which is marked with the letter L or coloured red.
- When making the electrical connections, check that the voltage values correspond to those indicated on the data plate inside the appliance itself.
- In case your appliance is not furnished with a non separating flexible cable and has no plug, or has not got any other device ensuring omnipolar disconnection from the electricity main, with a contact opening distance of at least 3 mm, such separating device ensuring disconnection from the main must be included in the fixed installation. If your unit features a power lead and plug, position this so the plug is accessible.
- Always switch off the electricity supply before carrying out any cleaning or servicing operations on the appliance.

USE

- Avoid using materials which could cause spurts of flame (flambées) near the appliance.
- When frying, take particular care to prevent oil and grease from catching fire. Already used oil is especially dangerous in this respect. Do not use uncovered electric grates.
- To avoid possible risks of fire always comply with the indicated instructions when cleaning anti-grease filters and when removing grease deposits from the appliance.

MAINTENANCE

- Thorough servicing guarantees correct and long-lasting operation.
- Particular care must be paid to the grease grille which must be periodically cleaned in relation to use (at least once every two months). Remove the grease grille and wash them either by hand or in the dishwasher using neutral detergent.
- Any fat deposits should be removed from the appliance periodically depending on amount of use (at least every 2 months). Avoid using abrasive or corrosive products. To clean painted appliances on the outside, use a cloth dipped in lukewarm water and neutral detergent. To clean steel, copper or brass appliances on the outside, it is always best to use specific products, following the instructions on the products themselves. To clean the inside of the appliance, use a cloth (or brush) dipped in denatured ethyl alcohol.

■ HOW TO TAKE OFF THE GLASS

Before any cleaning or any servicing it is necessary to disconnect the apparatus. To take off the glass, open the trolley pulling it frontwards; pull the glass towards the left (or the right) and lift one side upwards as it is indicated in the Figure 14.

DESCRIPTION

The appliance can be used in both the filtering and ducting version.

In the **Filtering** version (Fig. 1/2), the air and vapours conveyed by the appliance are depurated by fiber panel and recirculated around the room. ATTENTION: Using the hood as a filtering one it is necessary to use the fiber panel(s) that purifies the air sent back into the room.

In the **Ducting** version (Fig. 3), cooking vapours and odours are conveyed straight outside by a disposal duct which passes through the wall/ceiling. Use of fiber panel is therefore unnecessary.

According to the model you have bought, the appliance can include 1 or 2 motors. In the 1 motor version the flange for the air to be exhausted has not got a central position, but it is slightly on the left.

INSTALLATION

Before assembling, in order to manoeuvre the appliance more easily, take off the **grease grille** (Fig. 3): pull the front of the grille upwards; desinsert the back from its seat.

IMPORTANT: So as not to damage your product, during installation **USE ONLY THE SCREWS PROVIDED**. Make sure these are used as shown in the following instructions.

To compensate possible depth voids between the appliance and the wall, a plastic **spacing bar** to be fixed at the back of the appliance by means of the three screws **A** is included (Fig. 5). The 3 screws **A** to be used are contained in the accessory bag attached to the plastic spacing bar. Cut the spacing bar according to the distance to be adjusted.

ASSEMBLY UNDER A PENSILE CUPBOARD

The following operations are essential for assembly:

- Install the wiring system
- Prepare the air venting hole if your appliance is to be installed in the Ducting version.

The filtering version of the apparatus can be assembled as indicated in Fig.1, the air venting system being upwards, or as indicated in Fig.2, the air venting system being frontwards. For installation according to Fig.2, do as follows:

1. Take off the air venting flange and put on the supplied tap **T** instead (Fig. 6).
2. Take off plate **P** unscrewing the 3 screws (Fig.6).
3. Take off the front plate **F** unscrewing the 2 screws **A** (Fig.6) and put a new plate according to your requirement (minimum height 80 mm).

Fixation as indicated in Fig. 7:

Using the relative template make the 4 necessary fixing holes in the bottom of the cupboard and cut the air venting hole: the opening for the air venting is not necessary for the filtering version of Fig. 2. Move the hood close to the bottom of the wall unit and then connect the two units by means of the 4 self-tapping screws supplied together with the appliance.

Fixation with brackets as in Fig. 8 (optional):

Take the two brackets (**S**) out of the accessory bag together with the 8 screws provided. Fit the brackets to the wall unit being careful to position these correctly; for this operation use the 4 longer screws. At this point, secure the appliance to the brackets using the 4 shorter screws.

Ducting version: connect the flange of the hood with the air venting hole made previously in the wall/ceiling by means of an adequate tube. Make the electrical connections. Assemble the anti-grease grille with the hood, inserting it obliquely (making the front side go upwards).

Filtering version: make the electrical connections. Set the fiber panel (**A**) inside the anti-grease grille blocking it by means of the 2 supplied metal wires (**F**), as indicated in Fig. 9; the 2 metal wires must be threaded into the relevant slots. Assemble the anti-grease grille with the hood, inserting it obliquely (making the front side go upwards).

OPERATION

Controls of Fig. 10:

Switch **C**: position **M** (motor): the motor switches ON/OFF by opening/closing the truck; the lights are always OFF.

Position **T** (total): the motor and the lights switch ON/OFF by opening/closing the truck.

Position **L**: the lights switch ON and the motor switch OFF either if the truck is open or closed; the motor is always OFF.

Switch **B**: it select the speed of the motor.

When the switch is in **M** or **T** position, opening the truck, the motor starts working automatically at the selected speed.

Controls of Fig. 11:

Switch **D**: position **A** (automatic), the motor and the light are automatically regulated ON or OFF by the opening/closing of the truck. Position **M** (manual), the light is on. Position **O**, the light is off.

Opening slightly the truck, the motor works at the I speed; opening a bit more, the motor works at the II speed; opening totally the truck, the motor works at the III speed.

In case the hood is a **filtering version** one, it is necessary to change the activated charcoal fiber panel according to utilization about every six month. To remove the fiber panel:

- open the truck pulling it the front.

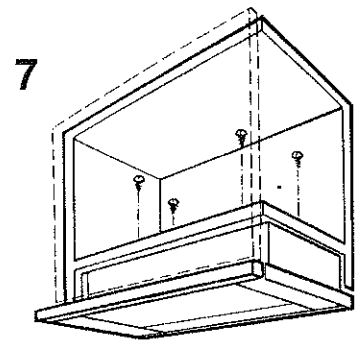
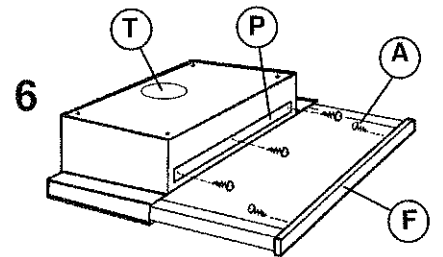
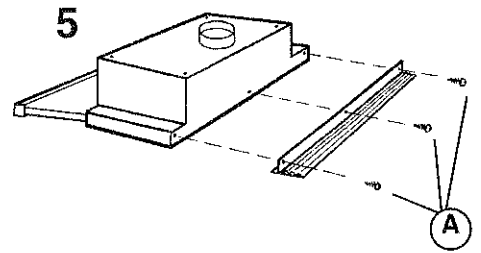
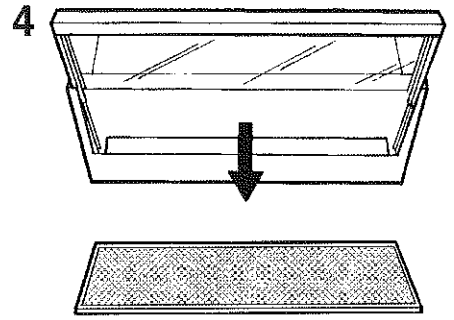
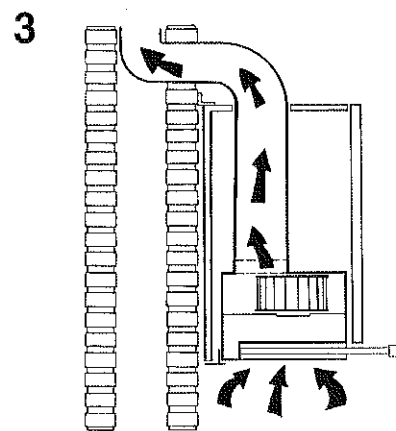
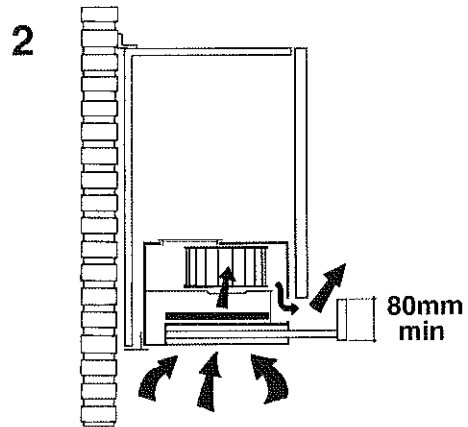
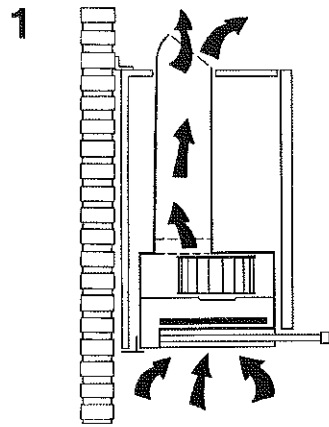
- take off the anti-grease grille: pull the front of the grille upwards; desinsert the back from its seat (Fig. 4).
- take off the fiber panel from the inside of the anti-grease grille taking off the 2 metal wires F (Fig. 9) that blocks it.

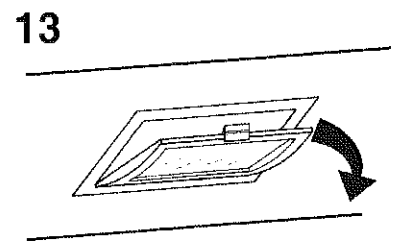
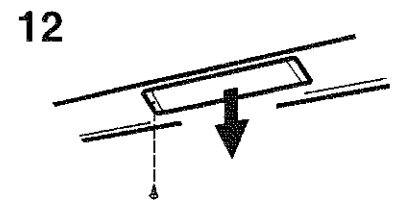
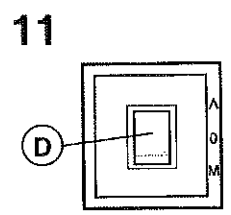
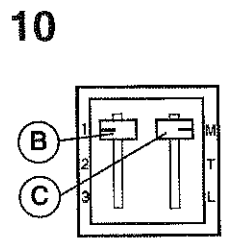
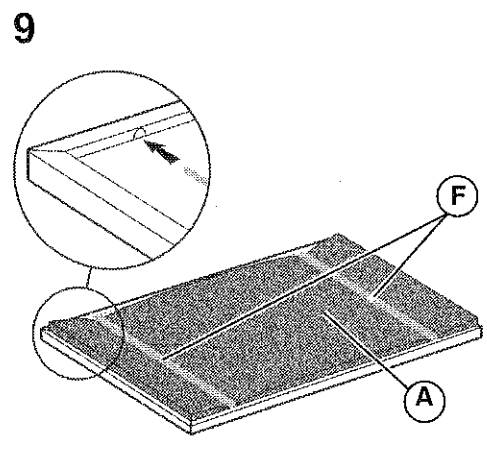
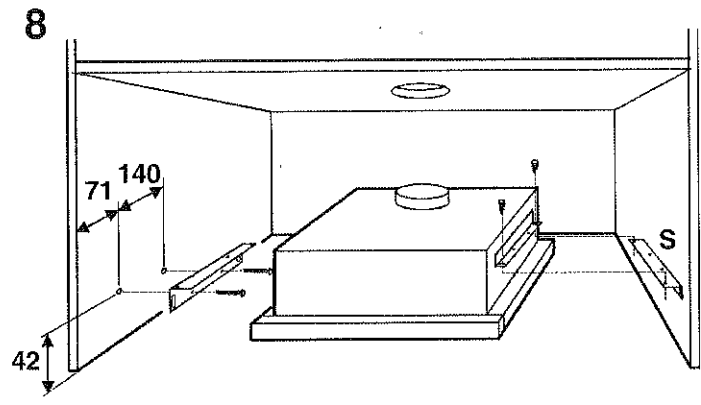
Light

If the **light bulbs/fluorescent light** need changing, slacken the light cover by disconnecting the screw and remove the bulb itself (Fig. 12). Replace with a bulb of the same type.

To change the **rectangular halogen bulbs** open the cover and remove the bulb without touching it with bare hands (Fig.13). Replace with a bulb of the same type.







14

