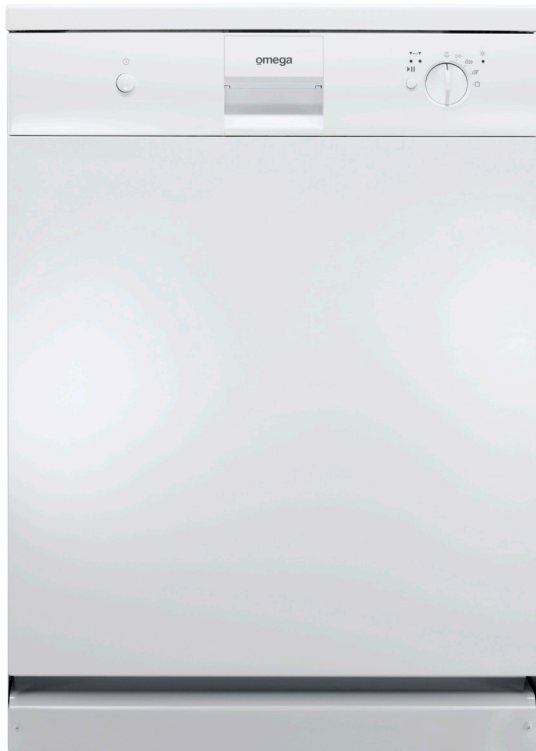


DW2006W

Code 13306

ID020309

dishwasher



INSTALLATION	freestanding — 600mm total depth built-in with worktop lid removed — 570mm total depth
CAPACITY	twelve place settings (IEC international)
WASH ACTION	traditional — two wash arms upper polypropylene lower stainless steel
PROGRAMS	four wash cycles one exclusive rinse selection
WASH TEMPERATURES	40°C, 45°C, 65°C and 70°C rinses at 45°C, 68°C and 70°C
WATER CONNECTION	cold or hot
DRYING	residual heat hot air
QUIETNESS	53 dBA sound pressure at main (wash) motor 41 dB installed and operating
ANTI-FLOOD	five-stage water security
ANTI-JAM	self-reversing impellor at synchronous pump motor
MOTORS	wash/rinse motor 150 watt drain pump 20 watt heating element 2100 watt concealed
ACCESSORY	worktop/lid fitted — removable
WARRANTY	two years parts and labour

QUIETNESS

Into the new polycarbonate plinth is infused the steel carcass enclosing the wash tank for improved stability and low vibration. Within this plinth, shock absorbing dampeners for the motor and pump and a new PVC capillary-connector system ensures the suppression of any remaining noise. The interior design of the continuous stainless steel tank walls allows for the easy flow and deflection of water jets. Again, this diminishes noise. Exterior walls of the tank are tar sealed and then overlaid with compacted foam and rockwool blanketing, all to reduce noise. The resulting sound level of the dishwasher, when operating, is barely perceivable.

FIVE STAGE WATER SECURITY

- 1 **Anti reflux** — Before entering the wash chamber the water passes through a syphon break, ensuring there is no water refluxing to the mains water supply.
- 2 **A water level pressure switch** detects the exact amount of water required and then starts washing.
- 3 **A safety pressure switch**, positioned slightly higher in the sump, detects any excess water, stops the water fill and starts the pump out.
- 4 **Pex hosing**, an ultra-resilient conduit, is used for water intake. Finally, fail safe ...
- 5 **Brass-threaded connectors** (instead of plastic), not subject to expansion and compression, will not crack, infinitely longer wearing.

PRACTICALITY

Whether it be for a very busy household or for a single person who is rarely home, simply choose the appropriate program. Importantly, do not waste your time and water preparing the items for the dishwasher. Wipe off larger food scraps and place immediately into dishwasher. If a small load, select the 'Rinse and Hold' (Program 1), for only seven litres water consumption.

Repeat this selection as many times as necessary as you progressively load in more servings. When full, finish off with the Delicate wash.

A very dirty, dried-on load may require Normal or Super wash. Again, no unnecessary preparation is required. There are another three programs from which to choose.

SELF-CLEANING FILTER

Water is drawn through five filtering stages and, through the constant recirculation, food matter is broken down into a superfine paste small enough to pass through the final stainless steel micromesh. This waste is isolated from the ongoing washing or rinsing cycle. 'Dirtied' water is emptied at the end of each cycle stage. Larger inorganic and undissolvable matter, such as bones, is isolated onto the initial filter from which it is easily retrieved. To assist, there is a dedicated downward waterjet off the lower wash arm directing dislodged food debris toward the filtering system.

RESIDUAL HEAT HOT AIR DRYING

All wash programs finish with a final hot rinse at 45°, 68° or 70° Celsius leaving the wash tank, after draining, with a very high residual heat. The superior multi-insulation helps maintain this heat. With the addition of the polish additive (generically 'rinse aid') water will not adhere to any surface, enabling fast drainage and subsequent fast drying.

ERGONOMIC

A new 'east-west' lower basket configuration allows for easier accessing and, when the top basket is raised, more 30cm diameter plates can be washed. The all-pronged lower basket also caters for extra loading of long-stemmed glasses, tumblers, mugs etc.

In the top basket, with the absence of the intrusive water funnel (the DW2006 has rear-fed water to the top spray arm) the now spacious and uninterrupted area accommodates larger unconventional shapes such as platters and woks. For extremely large utensils, simply remove the top basket.

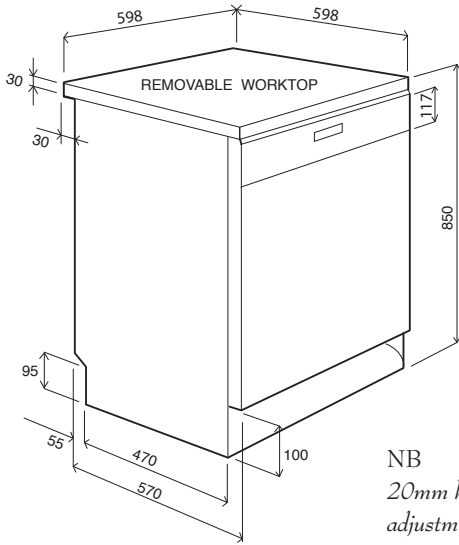
omega

DW2006W

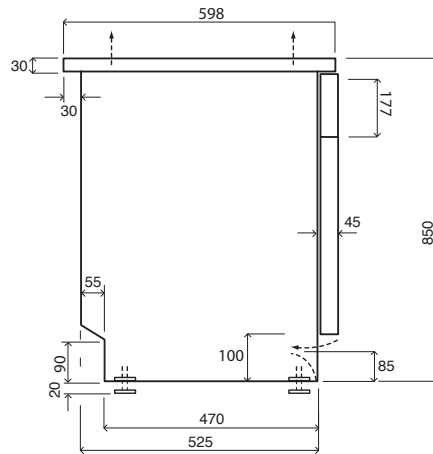
Code 13306
ID020309

dishwasher

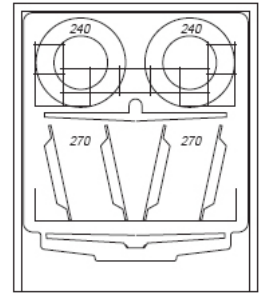
**PLEASE NOTE: drawings are not to scale.
They are to assist only.**



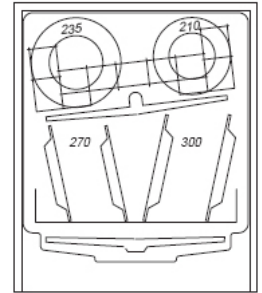
NB
20mm high feet
adjustment if required



SIDE ELEVATION



STACKING



Program	Description	Symbol	Action					Consumption		Time
			prewash	wash	cold rinse	hot rinse	residual heat drying	litres	KwH	minutes
SOAK	rinse and hold progressive loading		●					7	0.03	12
DELICATE	pots, dishes without dry residue, not very dirty		●	45°C	1	68°C	●	17	1.15	75
NORMAL ECO	pots, dishes with dry residue, not very dirty			40°C	1	45°C	●	16.9	0.70	117
NORMAL	normal dirty pots, dishes with dry residue, starch		●	65°C	1	68°C	●	20	1.42	95
SUPER	very dirty pots, dishes with dry residue, starch		45	70°C	2	70°C	●	20	1.75	110

NB: wash program durations can be substantially reduced if hot water connection is practicable

Water mains pressure allowed —

minimum	maximum
5Ncm/2	1000Ncm/2
50Kpa	1000Kpa
3psi	110psi
0.5bar	10bar

Suitable for mains, gravity feed and tank pressures

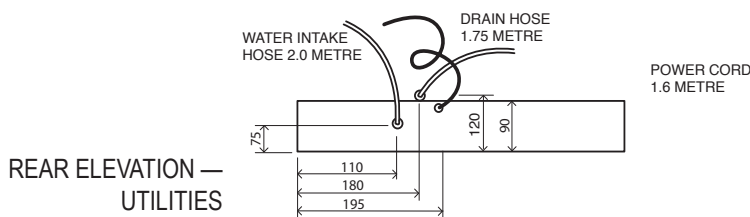
electricity supply	240 volt 50 Hz
electricity connection	10 Amp GPO
concealed element	2100 Watt
wash motor	150 Watt
pump motor	20 Watt
max current	9.4 Amp

PACKAGED —

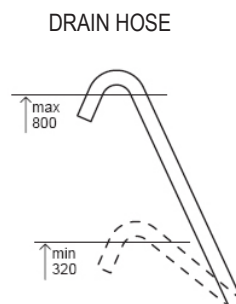
dimensions 890 x 705 x 655 = 0.41m³
gross weight 60kg
net weight 51.3kg

Water connection hot or cold

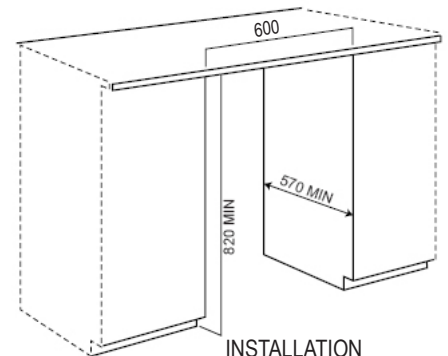
Pex hose tolerance	90°C
Recommended max intake	65°C



REAR ELEVATION —
UTILITIES



DRAIN HOSE



INSTALLATION

**Warning: technical specifications and product sizes can be varied by the manufacturer without notice.
Cutouts for appliances should only be by physical product measurements. The above information is indicative only.**

omega