

OR701CXA rangehood

code OR701CXA
ID200710

70cm wall-mounted rangehood



finish	satin stainless steel
size	700mmW x 480mmD x 1140mmH maximum
installation	wallmount only
motor	135 watt centrifugal, twin impellers
air extraction	exhaust to atmosphere or recirculate to kitchen
capacity	510m ³ /hr
speeds	three, separate buttons
illumination	ON/OFF separate button — 2 x 40 watt SES incandescent tubular
filtration	2 x aluminium 4-ply grease filters, removable and washable
noise	41-53 dBA
ducting	150mm or 125mm diameter ducting required NB: 150/125mm diameter adaptor supplied
recirculation	lower chimney piece with side vents; a recirculation diverter plate is supplied
optional	activated charcoal filter pair, part number for pair 08999801
warranty	two years parts and labour

PERFORMANCE

With a true net air extraction of 510m³/hr net an hour, the more vigorous styles of cooking, such as pasta boiling, griddle and stir frying, are catered for. At the touch of the speed control, the power can be switched down for the gentlest of simmers.

LOW MAINTENANCE

Easy cleaning is a premium with wipe-over 18/10 grade stainless steel surface. Two lift-out stainless steel and aluminium four-ply grease filters can be hand washed. The lighting and speed controls are underslung and forward away from most of the vapour trail and there is easy access to the twin light globes.

QUIETNESS

41 to 53 dBA. The motor/impellor encasement and internal flue are smooth-walled to eliminate air drag and noise, hand-finished welded metal joins for no vibration.

SAFETY

Thermal overload protector on motor; fire-retardant hardened metal and mesh. VO self-extinguishing polycarbonate for motor housing and internal flue.

DUCTING

Extracting the air direct to atmosphere ensures the maximum removal of grease/oil/particle-laden vapour, odours and, very importantly, the heat, resulting in a cleaner, more comfortable cooking environment. An internal ducting pipe could, ideally, continue in a straight line within the decorative flue to the kitchen roof, then through the roof cavity and exit via a roof cowl.

If the rangehood is mounted against an internal wall, the ducting could, as effectively, exit at the rear anywhere along the vertical line of the concealing decorative flue and at a position that is structurally feasible for an external wall cowl.

RECIRCULATION

When cooking vapours cannot be ducted to the atmosphere, that is, the rangehood is mounted on an internal wall and/or there is another storey above, the supplied recirculation panel is inserted into the telescopic flue

CHARCOAL FILTERS

In the recirculation mode, the rangehood is also sending cooking odours back into the kitchen. An activated charcoal filter disc can be fitted to each side of the centrifugal motor (part number for pair 0899801) to effectively diminish the cooking odours. They are not to be washed and are replaceable.

DUCTED MATERIAL

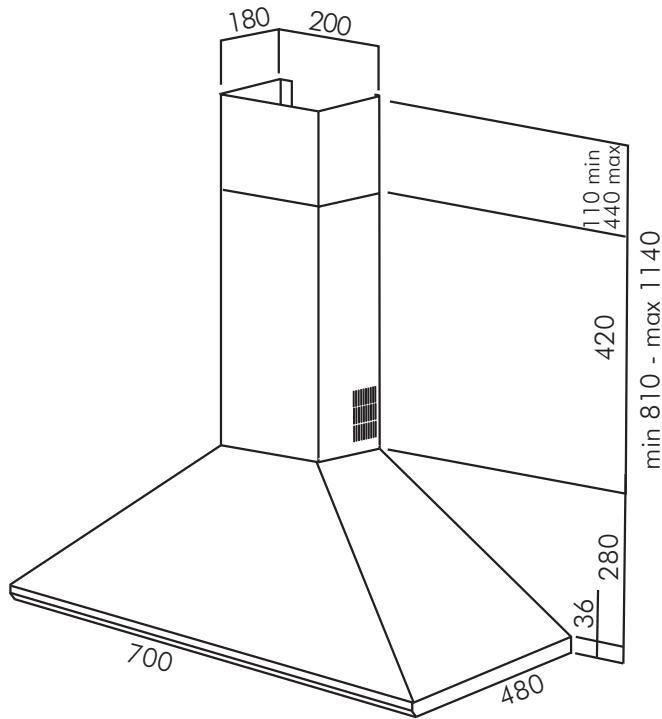
The smooth internal walls of either galvanised sheetmetal piping or high temperature resistant PVC will assist in both greater unobstructed air flow and quieter operation. Flexible ducting can be considered for the very short run and difficult bends.

omega

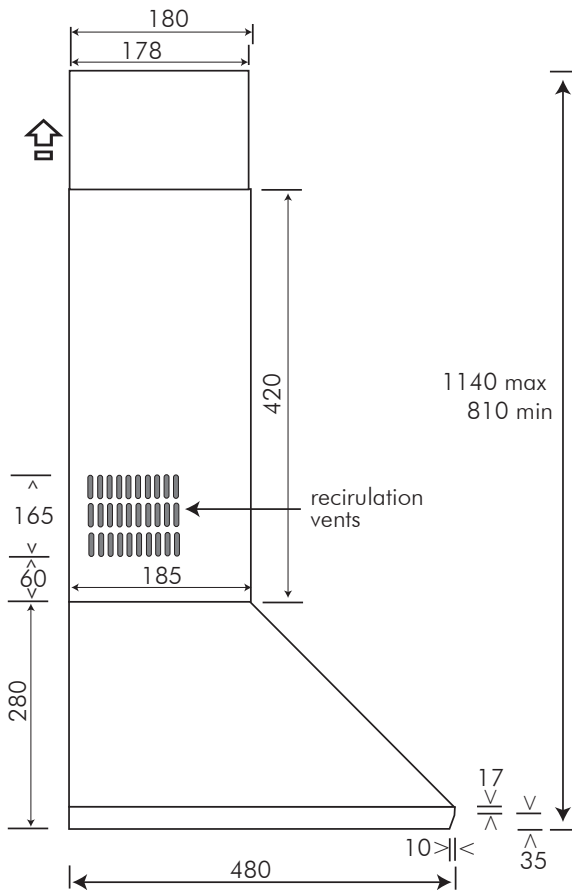
OR701CXA rangehood

code OR701CXA
ID200710

70cm wall-mounted rangehood

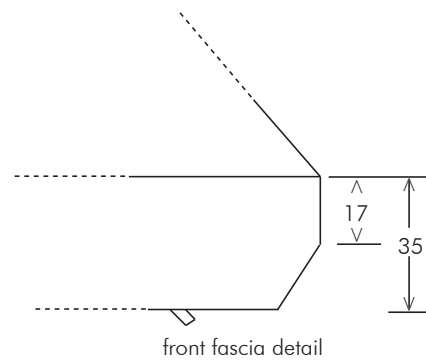


packaged dimensions	425mm x 560mm x 750mm = 1.0m ³
weight	8.7kg net, 11.45kg gross
air extraction	510m ³ /hr
noise rating	40-59 dBA
electrical connection	240 volt 50 Hz
wattage	135 watt motor 2 x 20 watt incandescent globes SES 6tubular
current	0.9 amp
power cord	0.85 metres connected with 10 amp 3-pin plug for direct connection to a standard 10 amp GPO
ducting/recirculating outlet	150mm diameter
adaptor supplied	150/125mm diameter
noise	41-53 dBA
speeds	three x buttons
lights	on/off button
option	activated charcoal filter pair for recirculation mode, part number for pair 08999801



SIDE ELEVATION

PLEASE NOTE: drawings are not to scale. They are to assist only.



WARNING: technical specifications and product sizes can be varied by the manufacturer without notice. Cutouts for appliances should only be by physical product measurements. The above information is indicative only.

omega