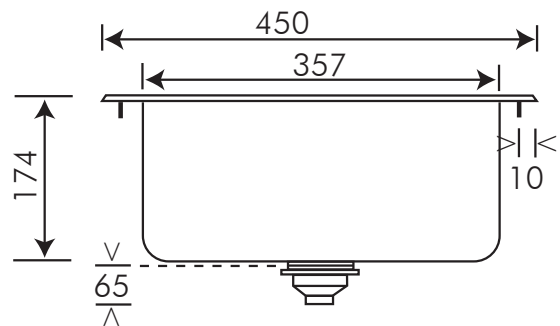
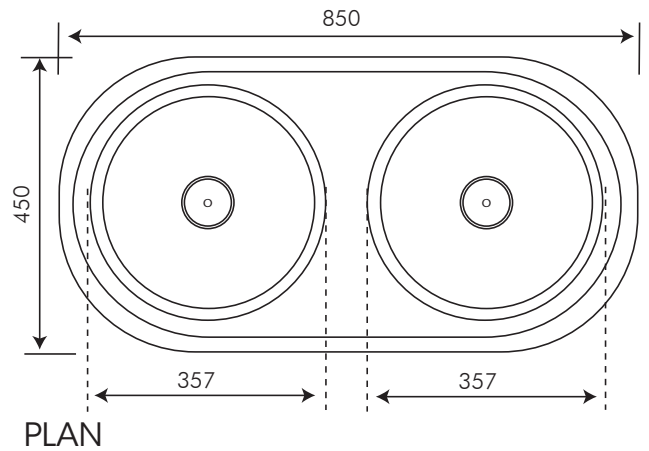


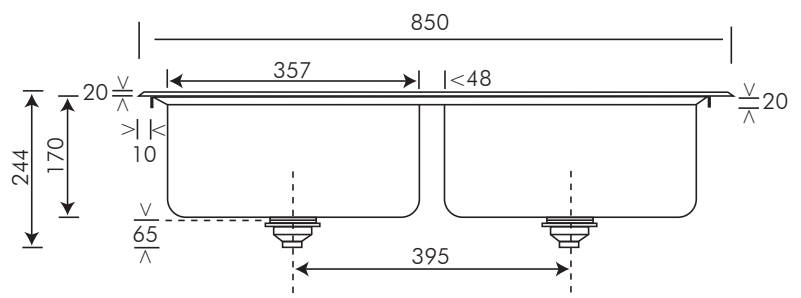
# 2617C

ID051108  
code 2617C

## 850mm twin round bowl sink topmount installation



SIDE ELEVATION



FRONT ELEVATION

<b>installation</b>	topmount
<b>overall dimensions</b>	850mmW x 450mmD x 179mmH with radiused corners
<b>finish</b>	polished stainless steel
<b>gauge</b>	1.0mm
<b>construction</b>	2 x bowls welded to platform
<b>taphole</b>	on request
<b>waste holes</b>	2 x 90mm diameter
<b>supplied</b>	2 x plug-waste reducers with pop-up strainer plugs clips, seal
<b>bowl sizes</b>	2 x 357mmW x 150mmH = 16.7 litres each bowl

*optional*  
round stainless  
steel crockery  
basket, code  
17208



*optional*  
round timber  
chopping board,  
code 17207



**NB: these drawings are not to scale — they are to assist only**

WARNING: technical specifications and product sizes can be varied by the manufacturer without notice. Cutouts for appliances should only be by physical product measurements. The above information is indicative only.

**omega**