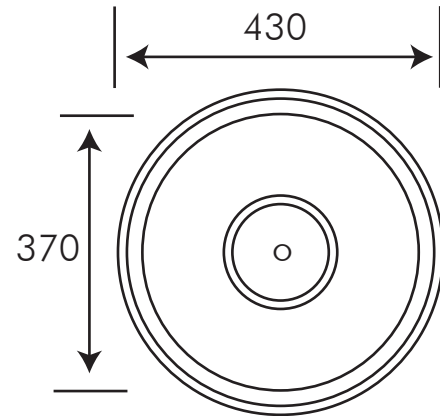


# 2219C

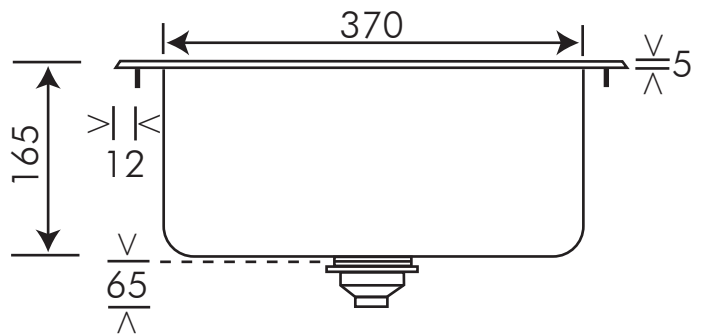
ID051108  
code 2219C

430mm diameter single round bowl, topmount



PLAN

<b>installation</b>	topmount
<b>overall dimensions</b>	430mm diameter x 170mmH
<b>cutout</b>	410mm diameter
<b>finish</b>	polished stainless steel
<b>gauge</b>	1.0mm
<b>construction</b>	single press
<b>waste hole</b>	90mm diameter
<b>supplied</b>	plug-waste reducer with pop-up strainer plugs clips, seal
<b>bowl size</b>	370mm diameter x 165mmH = 17.7 litres



ELEVATION

**NB: these drawings are not to scale — they are to assist only**

WARNING: technical specifications and product sizes can be varied by the manufacturer without notice. Cutouts for appliances should only be by physical product measurements. The above information is indicative only.

**omega**