

00455X compact oven

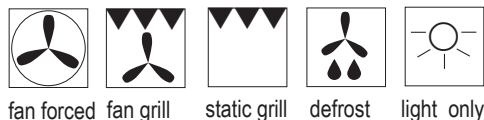
ID011208
code 00455X

electric, 60cm wide, 45.5cm high, fan forced,
four functions, semi automatic



size	594mm W x 455mm H x 554mm D
finish	stainless steel
installation	underbench or wall, flush or proud mount
capacity	53.37 litre gross, 45.26 net cooking
semi automatic	120 minute maximum, variable countdown stop cook, manual override
cooling fan	independent carcass cavity cooling
thermostat	0–250° Celsius
safety	anti-tip furniture double-glazed door with forced-air door cooling thermal overload protection
furniture	baking/roasting/grill tray grill insert 2 x chromed-wire shelf wide-grip grill tray safety handle
warranty	two years parts and labour

OVEN FUNCTIONS



fan forced fan grill static grill defrost light only

MULTIFUNCTION

- fan forced** for full capacity, swift and even cooking, suitable for most foods
- fan grill** full capacity or small quantities of meat, poultry, fish, infrared radiant heat from above assisted by the rear fan circulating hot, moist air around the food
- static grill** using only the roof elements, the heat is one-directional and is perfect for top browning and very even toasting
- defrost** faster thawing is attained in the safe environment of the oven cavity with the continuous circulation of air at a near-ambient temperature

SUPER STRENGTH ENAMELING

During construction, the oven cavity is baked at 850°C to create a super-strong molecular bonding of the enamel. This ultra-smooth surface is resilient to oxidation (rusting), pitting and the deleterious effects of cleaning agents and acidic food.

REMOVABLE DOOR

Easily removed, this robust door allows wipe-over maintenance away from the oven. When removed, more ergonomic access to the oven cavity is possible for easier cleaning.

DOUBLE SEAL

Above the oven cavity opening is a double seal. The lower seal prevents the hot, moist and particle-laden cooking air from escaping through the top vents. Only cleaner and cooler air is sent through the deliberate cavity between the inner and outer thermo-reflective glass door panes.

COOLING FAN

An independent cooling fan draws fresh air from the kitchen through apertures below the oven door, then through a cavity between the inner and outer carcass, and finally expels back into the kitchen below the control panel. This circulating fresh air is mixed with warmer vented air from the oven. Cooling air is also forced upward between the glass panes of the door. The air circulation is designed to ensure all external surfaces are safe to touch, the controls are never under duress and 'sweating' in adjacent cabinetry is eliminated.

omega

00455X compact oven

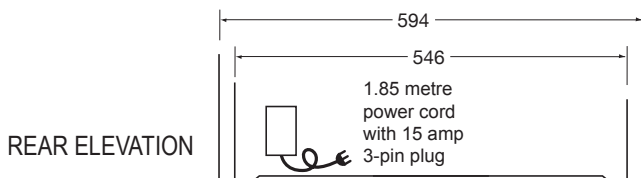
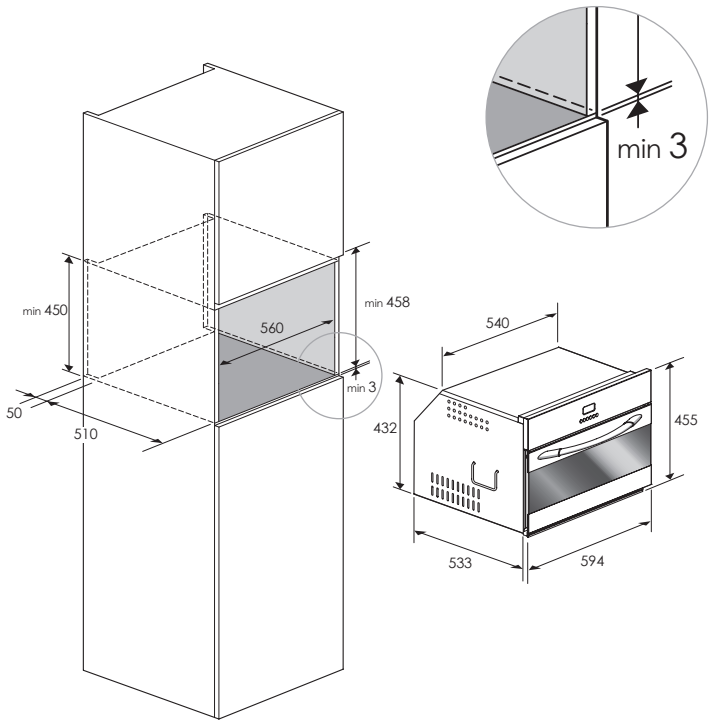
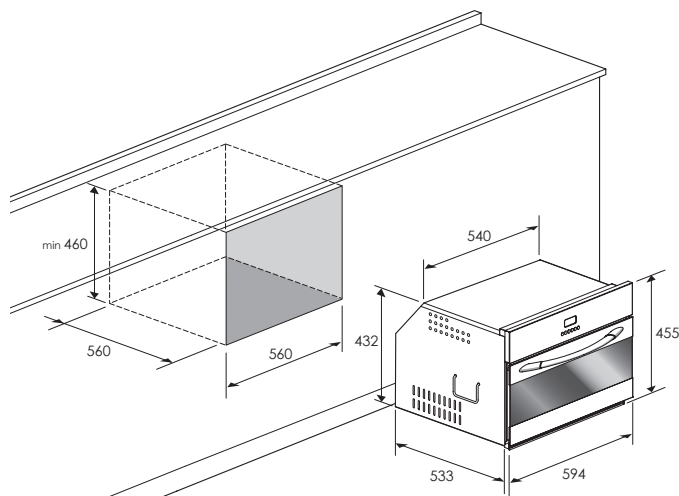
ID011208
code 00455X

electric, 60cm wide, 45.5cm high, fan forced, four functions, semi automatic

height 595mm
width 594mm
depth 565mm
oven cavity 273mm H x 425mm D x 460mm W = 53.37 litre gross
cooking capacity 254mm H x 405mm D x 440mm W = 45.26 litre net
supplied grill/roasting/baking tray
 one chromed-wire shelf
 wide-grip grill tray safety handle

electricity supply 240 volt
 50 Hz
electrical connection 1.85m connected 15 amp 3-pin power cord
maximum wattage 2375 watts
current 9.9 amp

PLEASE NOTE dedicated 15 amp wall socket required within cabinetry for the direct plugging of oven



**NB: drawings are not to scale
 — they are to assist only**

element		roof		floor	rear wall	rear wall fan	cooling fan	light	max wattage	current amp
		inner	outer							
wattage		1200	1000	1100	2300	25	25	25		
fan forced					●	●	●	●	2375	9.9
fan assisted			●	●		●	●	●	2175	9.1
fan grill		●	●			●	●	●	2275	9.5
static grill		●	●				●	●	2250	9.4
defrost						●	●	●	75	0.4
light only								●	25	0.1

Warning: technical specifications and product sizes can be varied by the manufacturer without notice.
 Cutouts for appliances should only be by physical product measurements. The above information is indicative only.

omega