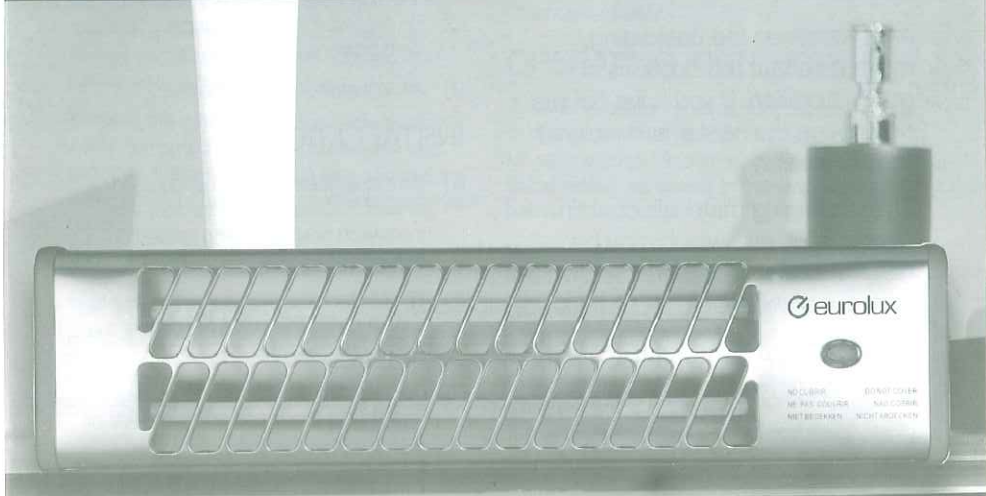


Strip Heater



Installation and Operating Instructions

(Please read before using the heater)

 eurolux

IMPORTANT SAFEGUARDS

Thank you for buying this Eurolux product. Please read the Installation Manual carefully before operating the heater, then keep for future reference.

After removing the packaging, make sure that the heater is in good condition. If you have doubts do not use the heater and return it to your retailer.

The packaging materials contain plastic, nails etc. which may be harmful and should therefore be kept out of the reach of children.

ELECTRICAL CONNECTION

Before commencing installation of this heater make sure that the specifications on the data plate correspond to the electrical requirements of your heater.

The electrical safety of this heater can only be assured if it has been grounded correctly.

The heater conforms to the directives 89/336/CEE concerning electromagnetic interference.

WARNING

- (1) The installation of this heater should only be carried out by a qualified professional electrician.
- (2) This heater is to be used only for the purpose intended by the manufacturer, this is for area heating, any other use is improper and deemed dangerous.

The manufacturer is not responsible for any damages caused by improper and unreasonable use of this heater.

- (3) Do not put a cover over the heater as the cover could catch fire during use.

- (4) Do not attach accessories or equipment not recommended or supplied by the manufacturer.
- (5) Install the heater only in a horizontal position, improper installation may cause harm to persons, animals or damage to objects.
- (6) Do not install the heater under a light or fixed power source.
- (7) Avoid installation behind a door.

INSTALLATION

- (1) Your strip heater should be mounted at least 1.8 metres from the floor with the switch positions being visible from a distance of 1 metre.
- (2) The heater must be mounted so that it cannot be reached from the bath or the shower (safety zone).
- (3) Do not install the heater so that the heat rays impact directly on adjacent walls or objects.
- (4) If you are fixing the heater to a wall do so in the following manner:
 - Unscrew the wall mount support (A) in diagram (2) and tilt the wall support to its maximum angle to access the cover screw and remove the screw.
 - Repeat the same for the other screw.
 - Determine the placement of the heater on the wall, mark the wall where you are to drill 2 holes.
 - Drill 2 holes to a depth of approximately 6mm and insert the supplied dowels in diagram (3).

ELECTRICAL CONNECTION

THIS APPLIANCE MUST BE EARTHED.

This heater is intended to be fixed into position with a permanent electrical connection, as stated earlier this must be done by a qualified electrical contractor.

The power cord must be suitable for the electrical requirements of this heater.

Material PVC:

NR. 3 wires (neutral, live, earth)

Section: 1mm² (minimum)

Sheath: 10mm (maximum diameter)

Once the power cord is inserted through the wall support, attach the support using the screws and dowels that were supplied, see previous instruction.

Remove the screw B from the cable in the cable clamp and place the cable in the seat provided. Make sure that the wire connections correspond to the stamped symbols on the wall support.

IMPORTANT


The wires in the main lead are coloured in accordance with the following diagram:

Green and yellow: Earth

Blue: Neutral

Brown: Live



The green and yellow wire must be connected to the terminal marked with the letter E or the earth symbol .

The blue wire must be connected to the terminal marked with the letter N or coloured black.

The brown wire must be connected to the terminal marked with the letter L.

Clamp the wires to the cable holder by means of screw B.

Put the cover back into its place on the wall support and fasten by tightening the screws.

Select the correct inclination by unscrewing the screw by one turn. Determine the correct angle and tighten the screws to keep the heater at the desired angle – screw A.

Do not attempt to change the angle without loosening the screws, failure to do so could cause permanent damage.

During assembly do not touch the heating elements, if you do this could leave spots on the elements which would reduce its thermal radiation.

OPERATING INSTRUCTIONS

To turn the heater on simply pull the cord once, to change the heat setting pull the cord once for each setting, the number corresponding to the setting will appear in the window, see below:

Mod. SH1200A:

0=Off 1=600W 2=1200W

Mod. SH1500A:

0=Off 1=500W 2=1000W 3=1500W

If you notice a slight vibration when the heater is first turned on, don't be alarmed as this is part of the normal operation of the heater and will fade away.

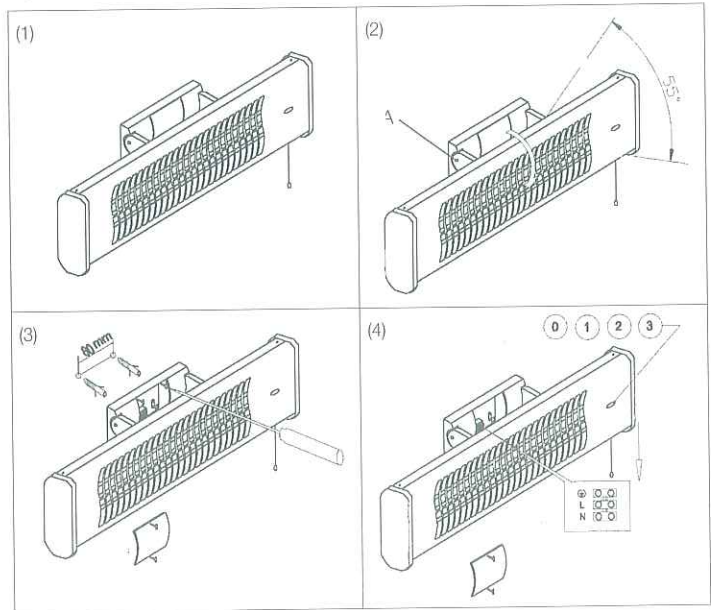
MAINTENANCE

This heater does not require any particular maintenance. For cleaning it is recommended that you use a soft damp cloth and a neutral detergent. Do not use an abrasive cloth or other device which could effect the outward appearance of the heater. Check that the parts of the heater that are exposed to the heat rays are free of dust. During cleaning be careful not to touch the heating elements.

If the heater develops a fault and it has been hard wired, you will need to get a licensed electrician to disconnect the heater before returning it to the authorised service agent.

The non-observance of these instructions could compromise the safety of the heater and render the warranty invalid. power source that can be reached by a person using a bath tub, shower or wash basin.

Diagrams.



AUTHORISED SERVICE AGENT ADDRESSES

SYDNEY - HEAD OFFICE

Telephone (02) 9384 5678
Facsimile (02) 9666 1318

QUEENSLAND

Telephone (07) 3266 0444
Facsimile (07) 3266 7511

NEWCASTLE

Telephone (02) 4960 9266
Facsimile (02) 4960 9277

NEW ZEALAND

Innovative Agencies
Telephone (03) 3328952
Facsimile 9428 1595

CANBERRA

Telephone (02) 6280 7099
Facsimile (02) 6280 7137

WAGGA WAGGA

Telephone (02) 6922 8600
Facsimile (02) 6922 8611

VICTORIA

Telephone (03) 9795 1177
Facsimile (03) 9795 1017

SOUTH AUSTRALIA

Telephone (08) 8346 1888
Facsimile (08) 8340 1034

WESTERN AUSTRALIA

Telephone (08) 9478 0466
Facsimile (08) 9478 0470

TASMANIA

Telephone (03) 6334 8166
Facsimile (03) 6334 8177

 eurolux