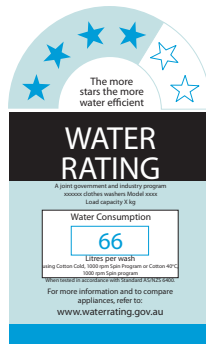


# OW6512W

code OW6512W  
ID100108

## 6.5kg front-load washing machine



<b>capacity</b>	6.5kg dry weight
<b>finish</b>	all white
<b>dimensions</b>	600mmW x 850mmH x 615mmD
<b>porthole</b>	300mm diameter net
<b>water consumption</b>	50 litres nominal 66 litres heavy cotton program
<b>programs (eight)</b>	cotton wool synthetics eco delicate hand wash quick wash — 30 minutes rinse + spin
<b>button selections (seven)</b>	prewash crease care time save rinse hold rinse plus time delay child lock
<b>wash temperatures (five)</b>	cold, 30°, 40°, 60°, 90° Celsius
<b>spin speeds</b>	no spin, 400, 800, 1000 rpm
<b>timing display</b>	digital program time remaining

### DIRECT DRIVE MOTOR

The advanced brushless direct drive motor rotates the drum directly without belt and pulley. The power is delivered directly to the drum, minimising vibration and noise while maximising energy efficiency.

### ELECTRONIC DISPLAY

Via the LED windows and rotary electronic dial, not only is your selected program fully illuminated of all personal choices, the progress status of your program is also displayed. At all times you can view your program selection and its progress.

### PREWASH

This extra soaking phase is ideal for the heavily soiled and ingrained dirty loads. The prewash, when finished, will empty the dirtied water and automatically refill with new, clean water for the main wash.

### RINSE +

For those with extra sensitivity to detergents, this selection will insert one extra rinse cycle into the overall program.

### CREASE CARE

On the cotton and synthetic programs, this extra selection rotates the tub for ten seconds every ten minutes after the program has finished. These frequent rotations reduce the creasing when the clothes are left in the tub.

### TIME SAVE

This selection will reduce the individual durations of the programs' wash, rinse and spin sections for an overall faster program when required.

### TIME DELAY

From two to twelve hours can be preselected for the start of a program. This can be useful for progressive loading and timing the program to finish at a time closer to when you are available to empty the load.

### QUICK 30

A thirty-minute quick wash selection is designed for washing small loads, such as sports clothes and underwear.

### RINSE + SPIN

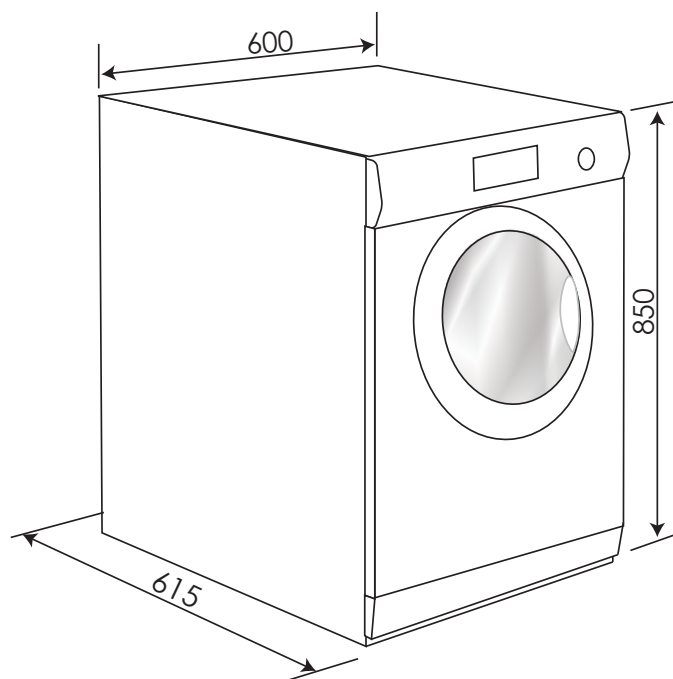
If clothing has heavily creased by sitting and compacting in the washing machine long after the program has finished, this single rinse and spin selection will refresh and smooth out the clothing.

**omega**

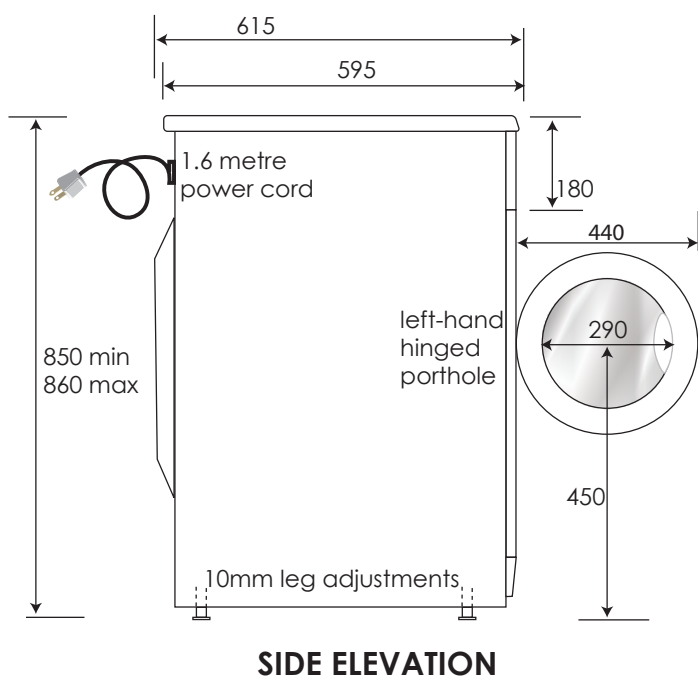
# OW6512W

code OW6512W  
ID100108

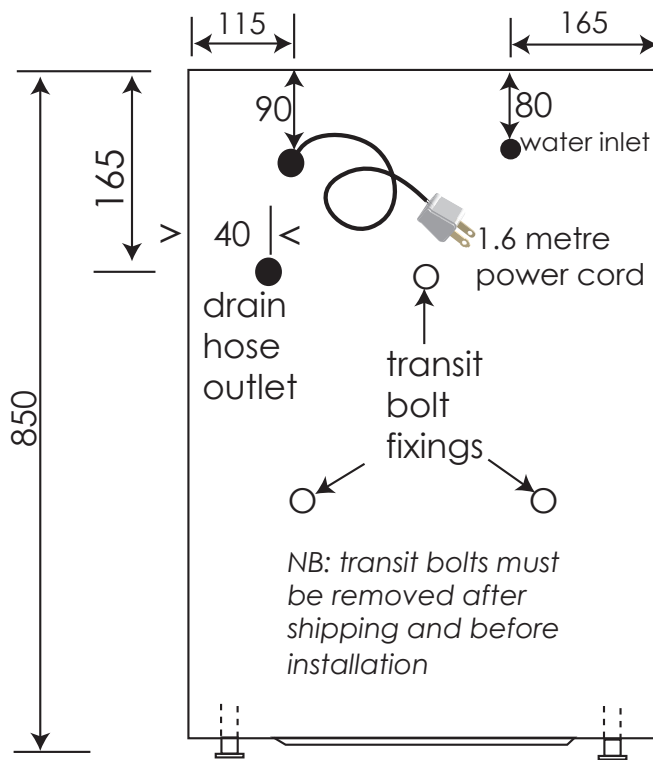
## 6.5kg front-load washing machine



<b>height</b>	850mm
<b>width</b>	600mm
<b>depth</b>	615mm with door open 1055mm
<b>packaged dimensions</b>	870mm x 653mm x 650mm
<b>gross weight</b>	62 kg
<b>net weight</b>	58 kg
<b>water supply</b>	cold water only NB: installed with 1950 watt element for water heating if required
<b>water pressure</b>	29kPA–784kPA
<b>water intake hose length</b>	1.5 metre
<b>drain hose length</b>	1.5 metre
<b>electricity supply</b>	240 volt, 50 Hz
<b>electrical connection</b>	1.6 metre connected 10-amp power cord with 3-pin plug for plugging to standard 10 amp GPO
<b>maximum wattage</b>	1950 watt element



**SIDE ELEVATION**



**REAR ELEVATION**

**These drawings are not to scale — they are to assist only**

**Warning:** technical specifications and product sizes can be varied by the manufacturer without notice. Cutouts for appliances should only be by physical product measurements. The above information is indicative only.

**omega**