

OF601X freestanding cooker

ID300507
code OF601X

60cm electric oven and four-burner gas hob with wok burner



warranty
two years
parts & labour

DIMENSIONS height 885-945mm with supplied telescopic legs
780mm net height without legs (can be placed on a plinth)
width 596mm
depth 595mm

SUPPLIED four black plastic telescopic legs 90mm min, 160mm max
clip-on stainless steel kickplate supplied for optional fitment

FUNCTIONS



light only



classic
convection



static grill



fan grill



baker's
function



fan
forced

cooktop

- four-burner gas cooktop
- natural gas or ULPG*
- automatic electronic ignition
- 31.9 mj/hr max flow over four burners –
1 x ultra-rapid triple crown (wok) 15 mj/hr max
2 x semi-rapid 6.5 mj/hr max each
1 x auxiliary 3.9 mj/hr max
- two heavy-duty cast-iron trivets for full hob cover
– full stability and easy cross movement of utensils
- removable burner caps and assemblies for easy
cleaning
- deep seamless hob construction – contains any
accidental boil-over and spills for easy cleaning and
no seepage.

* The OF601X is set for natural gas and a regulator is supplied. The unit is adaptable for ULPG and no regulator is required. However, a ULPG pressure inspection test port is supplied

oven

- 74.02 litre gross capacity
- 64.60 litre net cooking capacity
- thermostatic control 0–260° Celsius
- five cooking functions + defrost (no thermostat selection)
- digital LED minute minder, manual override
- rapid heating efficiency – 140°C 4 minutes, 180°C 6 minutes, 200°C 7 minutes, 250°C 11 minutes, 260°C 11 min 50 sec
- new continuous mould (single press, seamless) side walls – eliminates side racks enabling larger capacity, easier access and cleaning
- fully furnished – two baking/grill trays, one grill insert, one full-width chrome shelf, one full-width teflon tray, pair of safety-grip tray handles
- four shelf-height cooking positions. The floor (fifth position) can also stand a cooking utensil when using fan forced and the two grill modes)
- safety-notched non-tip shelves and trays
- safety insulated cool operating external surfaces
- independent carcass cooling fan
- double-glazed door with forced-air flow-through cooling
- thermo-reflective inner door pane
- thermal overload protection
- stainless steel clip-on kickplate supplied for optional fitment to telescopic legs.
NB legs are removable

options

rectangular cast-iron griddle plate, code 9379

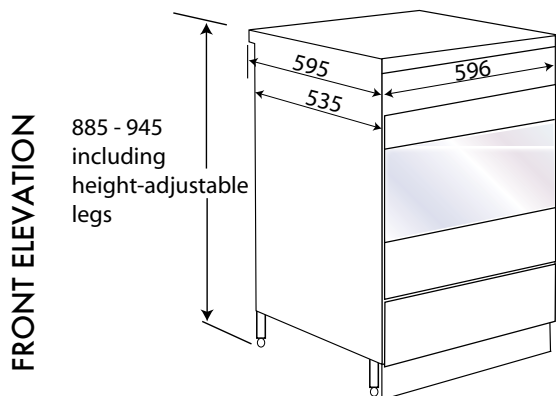


omega

OF601X freestanding cooker

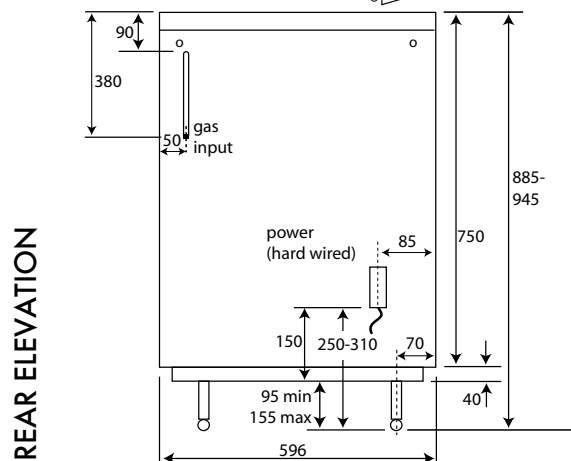
ID300507
code OF601X

60cm electric oven and four-burner gas hob with wok



FRONT ELEVATION

885 - 945 including height-adjustable legs

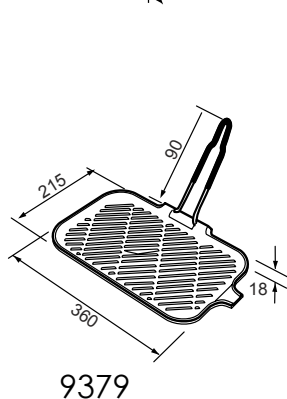


REAR ELEVATION

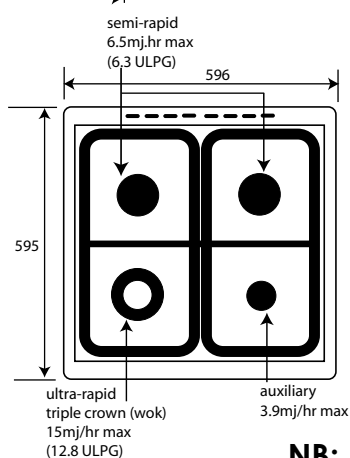
HEIGHT	885-945mm with telescopic legs 780mm excluding legs
WIDTH	596mm
DEPTH	595mm
PACKAGED DIMENSIONS	920mm x 725mm x 665mm = 0.45m ³
GROSS WEIGHT	70kg
NET WEIGHT	66kg
NET COOKING CAPACITY	330mm H x 450mm W x 435mm D = 64.60 litre
ELECTRICITY SUPPLY	240 volt 50 Hz
ELECTRICAL CONNECTION	hard wired single phase
MAXIMUM CURRENT	12 amp
MAXIMUM WATTAGE	2869 watts
ALL-GAS HOB	31.9mg/hour max over four burners natural gas, regulator supplied ULPG, no regulator required ULPG pressure inspection test port supplied ½" BSP gas inlet connection gas connection located rear right

OPTION reactangular cast-iron grill plate, code 9379

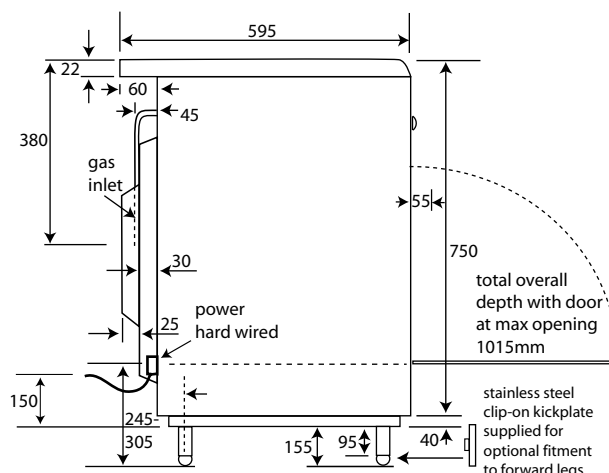
NB — the four height-adjustable telescopic legs can be removed and the unit positioned on a plinth



9379



SIDE ELEVATION



NB: drawings are not to scale — they are to assist only

OF601X freestanding cooker

ELEMENT	ROOF		FLOOR	REAR WALL	REAR WALL FAN (2)	COOLING FAN	LIGHT (2)	max wattage	current amp
	inner	outer							
wattage	1800	1000	1300	2800	30	24	15		
static grill	•	•				•	•	2839	11.9
fan grill	•	•			•	•	•	2869	12.0
classic convection		•	•			•	•	2339	9.8
fan forced				•	•	•	•	2869	12.0
baker's function			•		•	•	•	1369	5.7

Warning: technical specifications and product sizes can be varied by the manufacturer without notice.
Cutouts for appliances should only be by physical product measurements. The above information is indicative only.

omega