

microwave oven, 25 litre, 900 watt



dimensions	510mmW x 370mmD x 295mmH
finish	stainless steel, interior and exterior
oven cavity	330mmW x 330mmD x 212mmH = 23.1 litres plus roof and side cavities (2.3 litres) = 25.4 litres
turntable	315mm diameter tempered glass
hinging	left-hand
power	1400 watt input, 900 watt output
current	6.0 amps. 1.0 metre power cord for plugging to standard 10 amp GPO
microwave	900 watt, 5 power levels
defrost	1.9kg maximum
timer	59 minutes maximum, variable, auto stop
supplied	tempered glass turntable instructions
option	60cm stainless steel trimkit OTK25X, code 14310
warranty	two years parts and labour

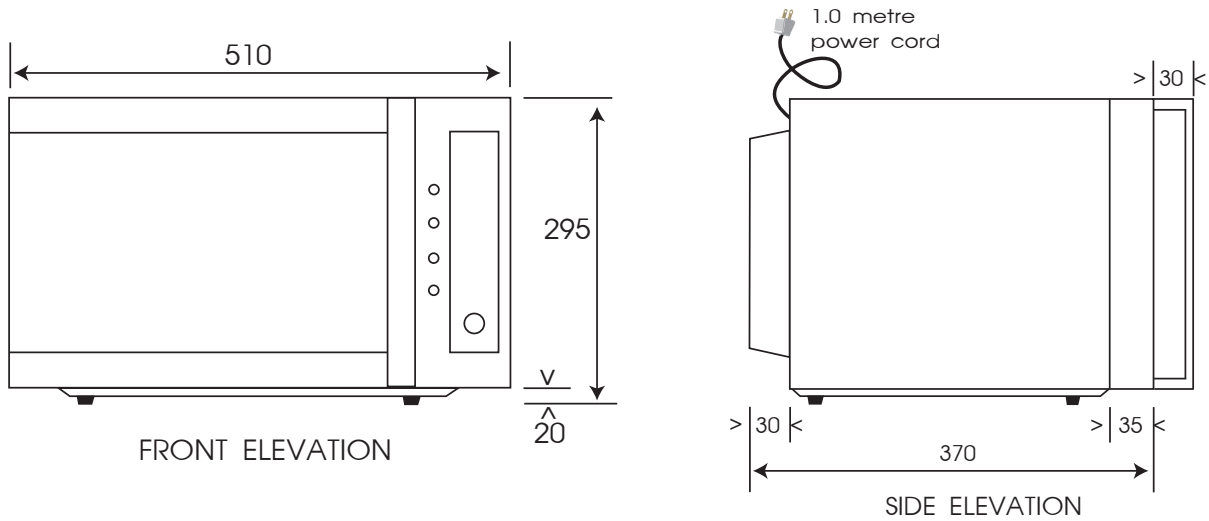


OM250XA shown with OTK25X (code 14310) 60cm trimkit

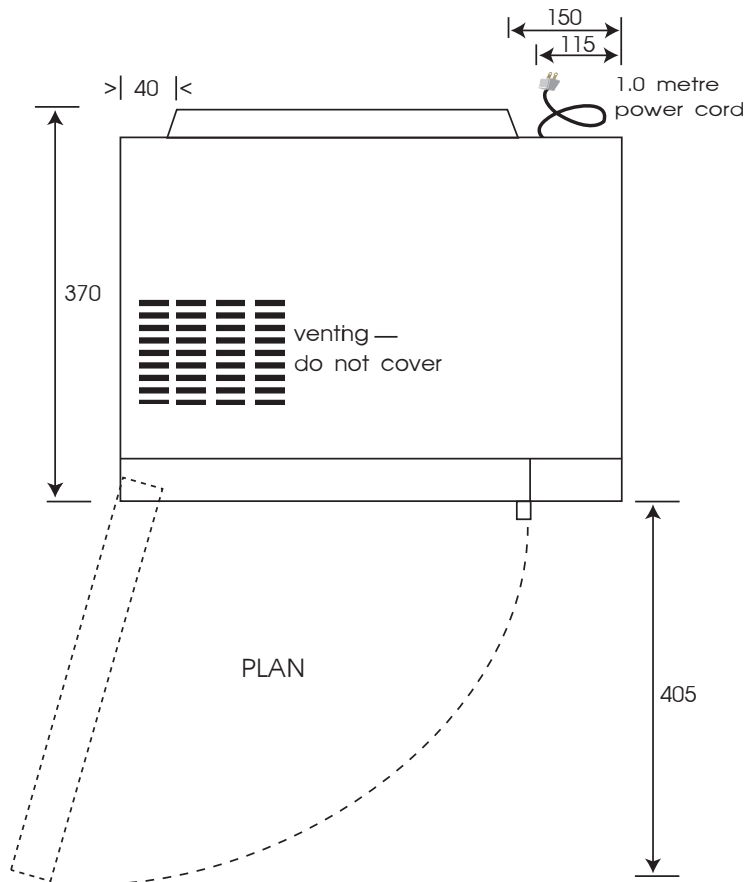
trimkit dimensions: 376mmH x 592mmW x 21mmD

internal dimensions: 287mmH x 518mmW x 21mmD

microwave oven, 25 litre, 900 watt



NB: drawings are not to scale — they are to assist only



packaged dimensions	570mm x 440mm x 330mm
volume	0.083m ³
net weight	16.5kg
gross weight	18.0kg
electricity supply	240 volt, 50 Hz
power consumption	1400 watts
rated output	900 watts
microwave frequency	2450 mHz
current	5.84 amps
power cord	connected 1.0 metre, 3-pin plug for direct plugging to standard 10 amp GPO
supplied	<ul style="list-style-type: none"> • instructions for installation, operation, maintenance • 315mm diameter tempered glass turntable • turntable guide

WARNING: technical specifications and product sizes can be varied by the manufacturer without notice. Cutouts for appliances should only be by physical product measurements. The above information is indicative only.