

# OF902X freestanding cooker

ID050107  
code OF902X

90cm giant electric oven with five-zone high-speed ceramic cooktop



**DIMENSIONS** height 870-940mm with supplied telescopic legs  
780mm net height without legs (can be placed on a plinth)  
width 900mm  
depth 600mm

**SUPPLIED**

- four black plastic telescopic legs 90mm min, 160mm max
- clip-on stainless steel kickplate for optional fitment
- 60mm high stainless steel splashguard for optional fitment to rear of cooktop

## FUNCTIONS



fan forced



defrost



baker's function



static grill



fan grill



classic convection

## Please note —

Omega ceramic cooktops are highly-efficient cooking surfaces. They are at their most efficient with flat-based cooking vessels. We recommend stainless steel exterior-based vessels; that is, the surface of the vessel making contact with the ceramic surface be of stainless steel. High-quality cast-iron bases are also suitable.

These flat stainless steel and cast-iron surfaces will help preserve the unblemished look of the ceramic surface and avoid scratching and permanent marking.

## oven

121 litre oven

108 litre net cooking capacity

five cooking functions plus defrost

twin fan forced — 2 x 2000 watt rear wall elements

digital minute minder and LED screen

double glazed door, thermo-reflective glazing

forced air door cooling — cool operating

easy cleaning oven enamelling — AA anti-acid

safety-notch trays and shelves

insulated control panel dials and door handle

NB: 60mm high rear splashguard supplied for optional fitment

## cooktop

spacious 5,6,7 zone ceramic surface

all elements 'series 8' high speed

full heat, seven seconds

- 1 x 2100 watt, 210mm diameter zone — includes 1 x 700 watt, 120mm dia zone
  - 1 x 2200 watt, 265mm oval zone — includes 1 x 800 watt extension zone, and 1400 watt, 170mm dia zone
  - 1 x 1800 watt, 180mm dia zone
  - 2 x 1200 watt, 120mm dia zone
- infinitely-variable heat settings  
residual heat indicator lights  
removable knobs for cleaning access

## options

stainless steel splashbacks

1600mm H x 900mm W, code 2958

650mm H x 900mm W, code 14202

round cast-iron griddle plate, code 9376 — 24.5cm diameter

rectangular cast-iron griddle plate, code 9379 — 36cm x 21.5cm

round  
9376



*optional griddle plates*

rectangular  
9379

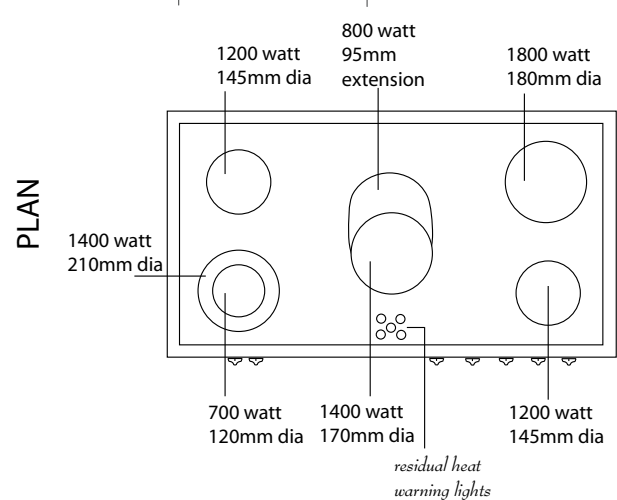
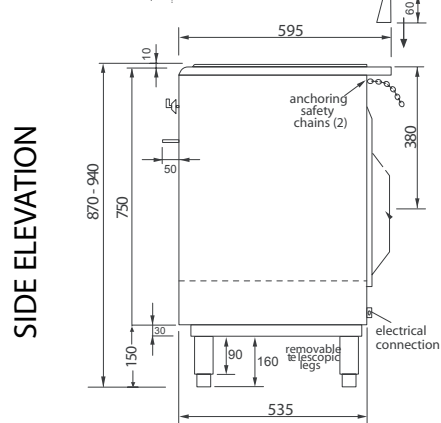
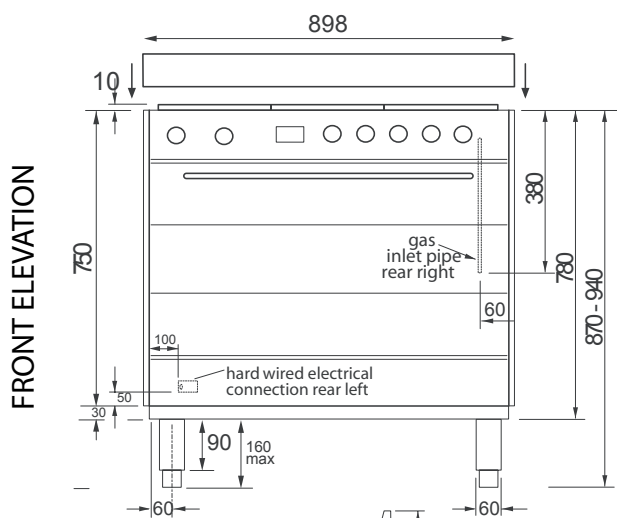


**omega**

# OF902X freestanding cooker

ID050107  
code OF902X

## 90cm giant electric oven with five-zone high-speed ceramic cooktop



**height** 870–940mm with telescopic legs, 780mm excluding legs  
**width** 898mm  
**depth** 600mm  
**splashguard height** 60mm optional fitment supplied  
**gross weight** 80kg  
**net weight** 74kg  
**oven internal dimensions** 350mm H x 770mm W x 450mm D = 121.3 litre  
**net cooking capacity** 340mm H x 750mm W x 420mm D = 107.8 litre  
**electricity supply** 240 volt 50 Hz  
**electrical connection** hard wired single phase  
**maximum current** 17.1 amp oven + 35.42 amp cooktop = **52.52 amp total MUST BE HARD WIRED**

**hob** capacity —  
 5,6,7 zones, all 'series 8' elements  
 • 2 x 1200 watt, 145mm dia zones  
 • 1 x 1800 watt, 180mm dia zone  
 • 1 x 1400 watt, 170mm dia zone  
 • 1 x 800 watt, 95mm extension zone  
 • 1 x 2100 watt, 210mm dia zone — includes 700 watt, 120mm dia zone  
**supplied**  
 • 60mm H x 898mmW splashguard for rear of hob, optional fitment  
 • 4x telescopic black plastic legs  
 • clip-on stainless steel kickplate  
 • baking/grill tray  
 • two chromed-wire shelves  
 • one teflon biscuit tray

**options**  
 • stainless steel splashbacks —  
 1600mm H x 900mm W, code 2958  
 650mm H x 900mm W, code 14202  
 • round cast-iron griddle plate, code 9376  
 • rectangular cast-iron grill plate, code 9379

**NB — the four height-adjustable telescopic legs can be removed and the unit positioned on a plinth**

**NB: drawings are not to scale — they are to assist only**

OF902X freestanding cooker

ELEMENT	ROOF		FLOOR	REAR WALL	REAR WALL FAN (2)	COOLING FAN	LIGHT (2)	max wattage	current amp
	inner	outer							
wattage	1600	1250	2100	2000 x 2	25 x 2	24	1 5x 2		
static grill	•	•				•	•	2904	12.1
fan grill	•	•			•	•	•	2954	12.31
classic convection		•	•			•	•	3404	14.2
fan forced				•	•	•	•	4104	17.1
baker's function			•		•	•	•	2180	9.1

**Warning: technical specifications and product sizes can be varied by the manufacturer without notice. Cutouts for appliances should only be by physical product measurements. The above information is indicative only.**

**omega**