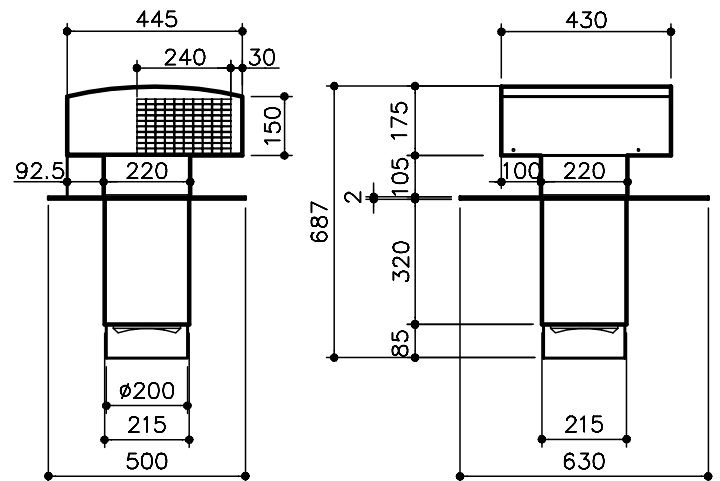
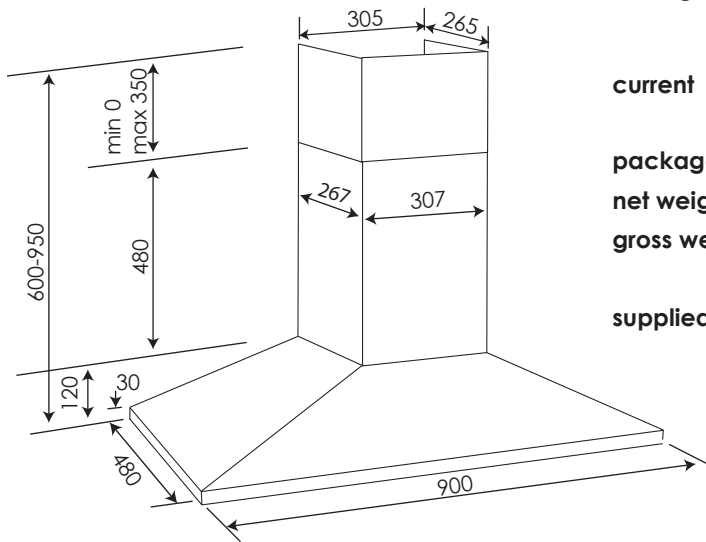


- finish** satin stainless steel
- size** 900mmW x 500mmDx700mmH — maximum height 1010mm
- installation** wallmount
- capacity** 950m<sup>3</sup>/hr net, 1235m<sup>3</sup>/hr gross
- ducting** direct ducting to atmosphere via exterior-mounted EMD950 motor
- motor** centrifugal
- illumination** two 20-watt halogen, separate button
- delay stop** 5-minute delay stop selection, separate button
- filtration** 2 x aluminium 4-ply grease filters, removable, washable
- noise** 40 dBA
- power cable** 1.7 metre
- current** 1.0 amp
- warranty** two years parts and labour

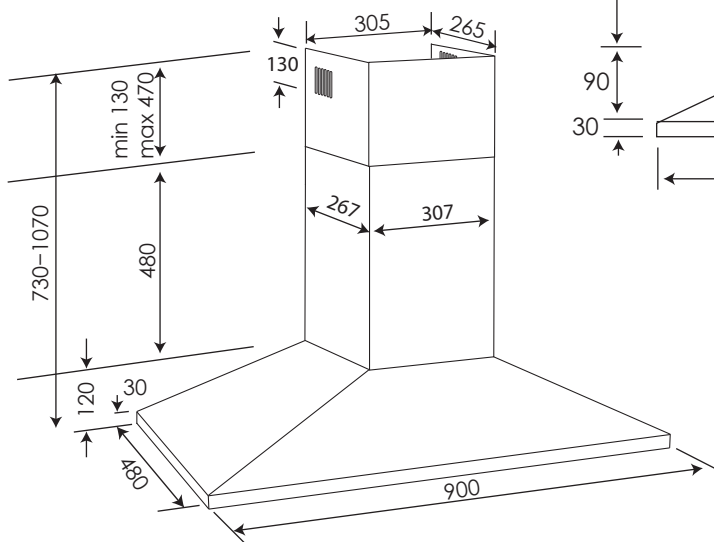


**NB: drawings are not to scale — they are to assist only**

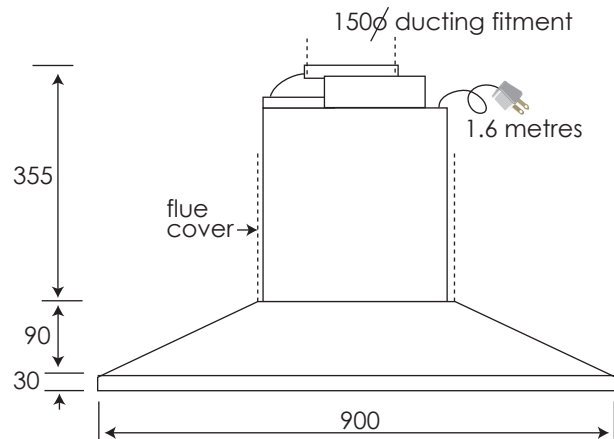
direct ducting to atmosphere



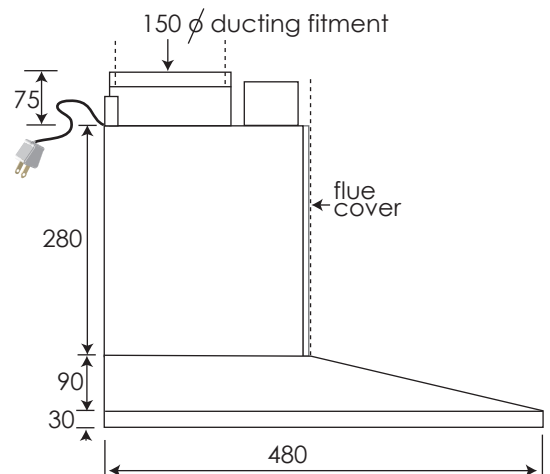
recirculation to kitchen



<b>electrical supply</b>	240 volt, 50 Hz
<b>electrical connection</b>	1.6 metre connected power cord with 10 amp 3-pin plug for direct plugging to standard 10 amp GPO
<b>wattage</b>	198 watt motor 2 x 20-watt halogen globes 238 watt total
<b>current</b>	1.0 amp
<b>packaged dimensions</b>	981mm x 530mm x 530mm
<b>net weight</b>	22kg
<b>gross weight</b>	25kg
<b>supplied</b>	<ul style="list-style-type: none"> <li>• instructions for installation, operation and maintenance</li> <li>• wood screws, wall plugs, dyna bolts, wall bracket</li> <li>• one-way butterfly valve fitted to air exit aperture — removable</li> </ul>



FRONT ELEVATION DETAIL



SIDE ELEVATION DETAIL