

# OR911CXA

ID241109  
code OR911CXA

90cm chimney rangehood, wallmount,  
stainless steel



<b>size</b>	900mmW x 500mmD x 1050mmH maximum
<b>finish</b>	stainless steel
<b>capacity</b>	700m <sup>3</sup> /hr net, 910m <sup>3</sup> /hr gross
<b>ducting</b>	150mm diameter required
<b>motor</b>	220 watt centrifugal, twin impellers
<b>speeds</b>	three — touch control buttons
<b>illumination</b>	two 20-watt halogen globes,
<b>filtration</b>	5-ply aluminium grease filter — removable, washable
<b>noise rating</b>	36–59 dBA maximum
<b>power cable</b>	1.6 metre connected, suits standard 10 amp GPO
<b>current</b>	1.0 amp
<b>warranty</b>	two years parts and labour

## PERFORMANCE

With a true net air extraction of 760m<sup>3</sup>/hr net an hour, the more vigorous styles of cooking, such as pasta boiling, griddle and stir frying, are catered for. At the touch of the speed control, the power can be switched down for the gentlest of simmers.

## LOW MAINTENANCE

Easy cleaning is a premium with wipe-over 18/10 grade stainless steel surface. Two lift-out stainless steel and aluminium four-ply grease filters can be hand washed. The lighting and speed controls are underslung and forward away from most of the vapour trail and there is easy access to the twin light globes.

## QUIETNESS

34 to 56 dBA. The motor/impellor encasement and internal flue are smooth-walled to eliminate air drag and noise, hand-finished welded metal joins for no vibration.

## SAFETY

Thermal overload protector on motor; fire-retardant hardened metal and mesh. VO self-extinguishing polycarbonate for motor housing and internal flue.

## DUCTING THE AIR DIRECT TO ATMOSPHERE

Ideally, the filtered air is removed from the kitchen and household to the outside of the building. This method of rangehood installation ensures maximum removal of the heat, vapours, odours and particle-laden air.

## RECIRCULATING THE AIR TO THE KITCHEN

When it is structurally impossible to duct the filtered air to the outside of the building, the filtered air is vented back into the kitchen via the recirculation vents in the side of the chimney. A more frequent inspection and washing of the metal grease filters is recommended for this mode of installation.

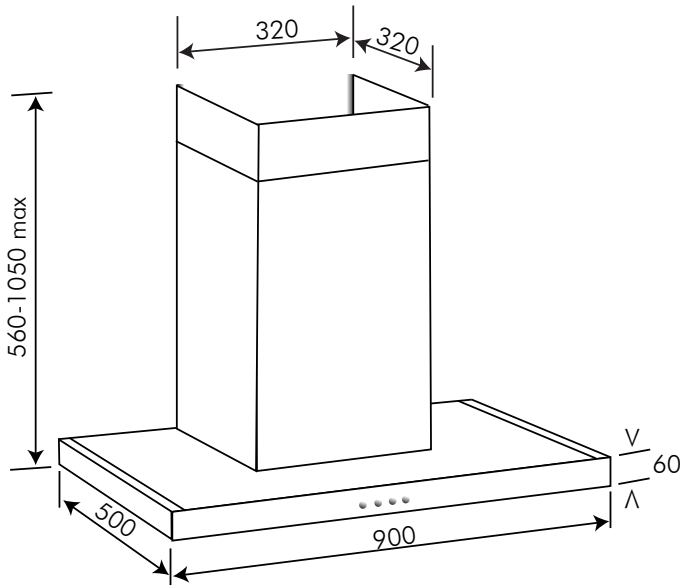
The easily-removable grease filters will isolate most of the grease, oil and food particles. These filters are washable using warm, soapy water or medium dishwasher program.

**omega**

# OR911CXA

ID241109  
code OR911CXA

90cm chimney rangehood, wallmount,  
stainless steel



**electrical supply**

240 volt, 50 Hz

**electrical connection**

1.6 metre connected power cord with 10 amp 3-pin plug for direct plugging to standard 10 amp GPO

**wattage**

220 watt motor  
2 x 20-watt halogen globes  
260 watt total

**current**

1.0 amp

**packaged dimensions**

1180(390)mm x 445mm x 570mm

**net weight**

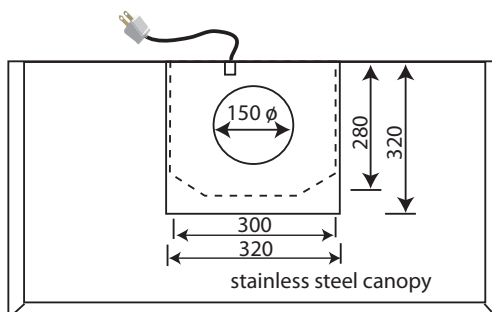
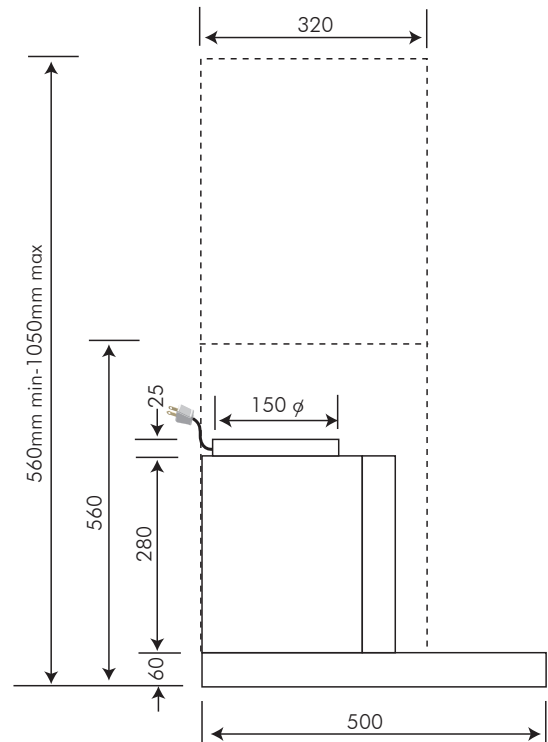
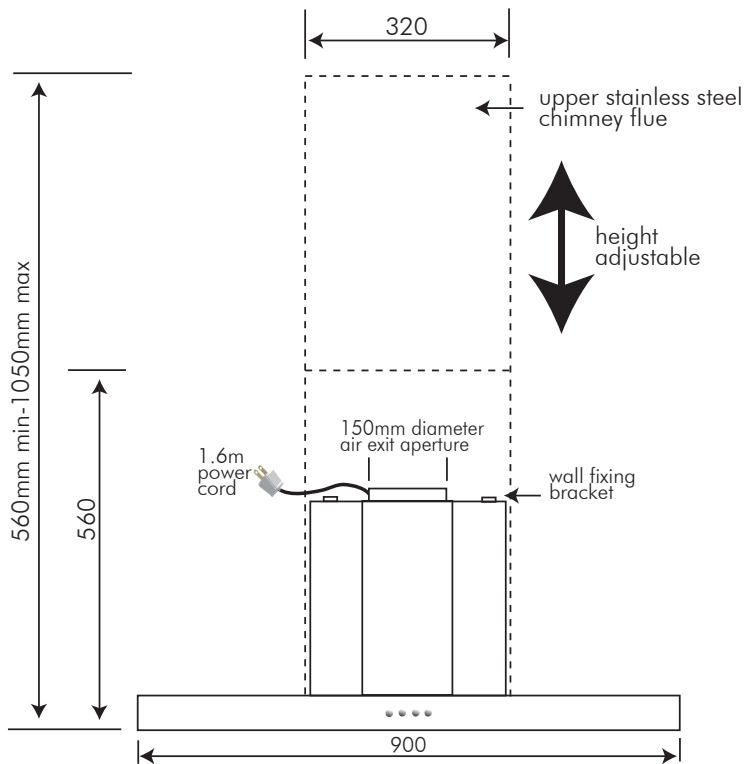
18kg

**gross weight**

23kg

**supplied**

- instructions for installation, operation and maintenance
- wood screws, raw plugs, dyna bolts, chimney bracket



**PLEASE NOTE: drawings are not to scale.  
They are to assist only.**

WARNING: technical specifications and product sizes can be varied by the manufacturer without notice. Cutouts for appliances should only be by physical product measurements. The above information is indicative only.

**omega**