



MULTIFUNCTION

TOP OVEN



static grill



classic
convection



base heat
only



light only

LOWER OVEN



fan forced



static grill

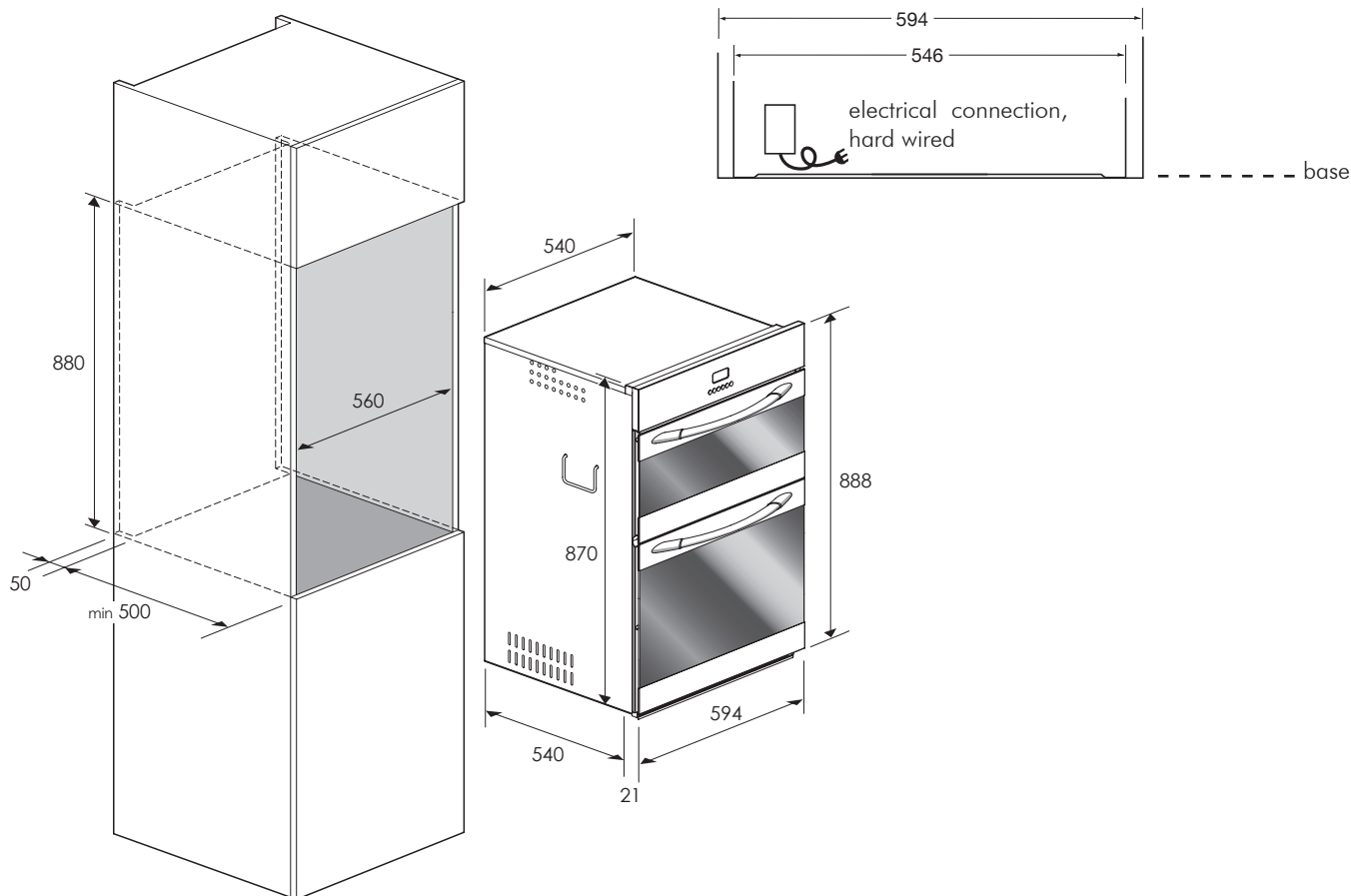


defrost



light only

finish	stainless steel
size	888mmH x 594mmW x 561mmD
capacity	<p>top oven: 210mmH x 460mmW x 425mmD = 41.05 litre gross, 188mmH x 440mmW x 405mmD = 33.50 litre net</p> <p>lower oven: 350mmH x 460mmW x 425mmD = 68.42 litre gross, 333mmH x 440mmW x 405mmD = 59.34 litre net</p>
installation	proudmount: underbench or wallmount
fully automatic	<p>top oven: minute minder, manual override</p> <p>lower oven: programmable digital clock, full auto cooking, semi-auto cooking, minute minder, manual override</p>
cooling fan	independent carcass cavity cooling fan
safety	anti-tip furniture, double-glazed door with forced-air cooling, thermal overload protection
lighting	1 x incandescent each oven
current	19.27 amps
maximum wattage	4625 watts
NB:	MUST BE HARDWIRED, SINGLE PHASE
furniture	<ul style="list-style-type: none"> • 2 x chromed-wire shelves • 1 x 30mmH baking/roasting/grill tray
warranty	two years parts and labour
NB:	fitted with thermoreflective flat glass inner door panes to both ovens
packaged dimensions	960mm x 660mm x 650mm = 0.42m ³
gross weight	65 kg
net weight	60.5 kg



element		roof		floor	rear wall	rear wall fan	cooling fan	light	max wattage	current amp
		inner	outer							
wattage		1200	1000	1100	2300	25	25	25		
classic convection			●	●			●	●	2150	8.7
base heat only				●			●	●	1150	4.8
static grill		●	●				●	●	2250	9.4
wattage		1000	750	850						
fan forced					●	●	●	●	2375	9.9
static grill		●	●				●	●	2250	9.4
defrost						●	●	●	75	0.31