

OA126W microwave oven

ID131106
Code OA126W

26 litre, 900 watt, white finish



white exterior, white enamel interior
overall dimensions — 294mmH x 495mmW x 380mmD plus 8mm handle
285mm diameter tempered-glass turntable
10 power levels, 900 watt maximum output
cooking timer digitally 59 minutes 90 seconds (ie 60'30")
independent kitchen timer
maximum current 5.63 amp
suitable for plugging to standard 10 am GPO
child safety controls lock
two years parts and labour warranty

3D COOKING

The white enamelled interior walls include concave impressions in the rear wall and the wall opposite the magnetron energy source in the right-side internal wall. These altered surfaces improve the reflective and refractive penetration of microwave energy within the oven cavity, ensuring an enhanced three-dimensional evenness and efficiency in heating, cooking and defrosting.

ELECTRONIC DISPLAY

A large, clear LED window shows all information — time of day, kitchen timer, defrost time, time remaining, food portion weights, power levels and automatic heating times according to selected weights.

TALL OVEN CAVITY

Microwave-compatible casserole dishes, jugs, bottles and other tall pieces up to 200mm height are easily accommodated.

DIGITAL CLOCK

Time-of-day displayed in either 12 hour or 24 hour framing. This framing can be changed simply with the press of a button.

TWO-STAGE COOKING

All recipes require frozen foods to be fully defrosted before cooking. This oven can be programmed to automatically defrost foods before cooking.

DELAY-START COOKING

Program the start-by time, up to 59 minutes and 90 seconds, then power level (other than default full power), then program the cooking time — again, up to 59 minutes and 90 seconds.

HOLDING TIME

When a dish is cooked or near cooked, a follow-on 'holding' time either completes or keeps the dish at temperature by dropping the microwave energy back to a very low maintenance level.

ONE-TOUCH COOKING

Cook for reheat many of your favourite foods by touching just one pad —

<i>beverages</i>	<i>1, 2 or 3 cups</i>
<i>pasta</i>	<i>1 or 2 servings</i>
<i>fresh vegetables</i>	<i>200 grams or 400 grams</i>
<i>frozen vegetables</i>	<i>200 grams or 400 grams</i>
<i>frozen pizza</i>	<i>200 grams or 400 grams</i>
<i>dinner plage</i>	<i>350 grams or 450 grams</i>

AUTOMATIC DEFROST

One-touch defrosting —

<i>red meat</i>	<i>500, 800, 1000 or 1200 grams</i>
<i>poultry</i>	<i>800, 1000, 1200 or 1500 grams</i>
<i>fish</i>	<i>300, 500, 800 or 1000 grams</i>

SPEEDY COOK

A special touchpad with 30 second increments from 30 seconds to 5 minutes for fast, simple heating/cooking.

LESS, MORE

To alter the cooking time or one-touch cooking whilst the oven is in operation, press either the 'more' or 'less' button.

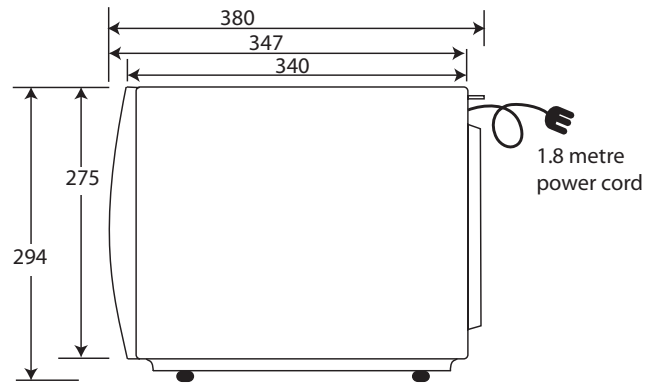
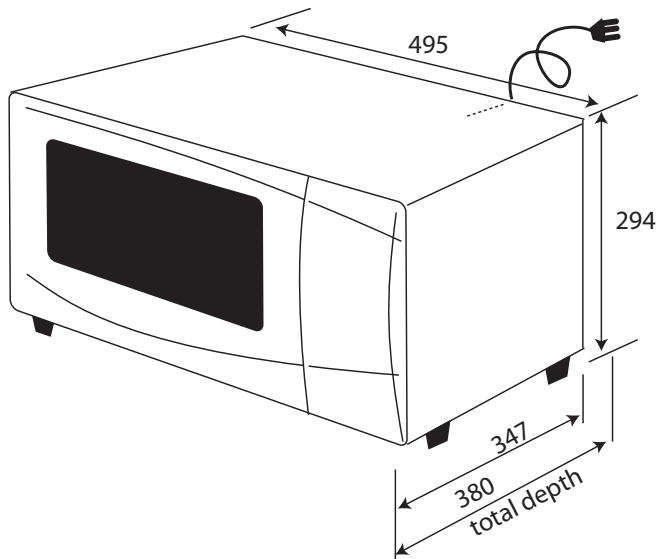
omega

OA126W microwave oven

ID131106
Code OA126W

26 litre, 900 watt, white finish

height	294mm
width	495mm
depth	380mm plus 8mm door handle
packaged dimensions	350mm x 445mm x 330mm = 0.81m ³
gross weight	14.3kg
net weight	12.5kg
oven cavity dimensions	330mmW x 237mmH x 338mmD = 25.63 litres
turntable size	285mm diameter
electricity supply	240 volt, 50 Hz
electrical connection	supplied with connected 1.8 metre power cord with 3-pin plug for standard 10 amp GPO
power consumption	1350 watts
microwave output	900 watts
current	5.63 amps
supplied	<ul style="list-style-type: none">• microwave oven• turntable separately packed within outer carton• instructions for operation, maintenance and conditions of use



SIDE ELEVATION

PLEASE NOTE
drawings are not to scale – they
are to assist only

Please note –
the microwave oven should be set on a
steady, flat surface. This microwave oven
is designed for benchtop or shelf use only.
The minimum height of free space above
the top surface of the microwave oven is
100mm.

WARNING: technical specifications and product sizes can be varied by the manufacturer, without notice. Cutouts for appliances should only be by physical product measurements. The above information is indicative only.

omega