

00651W oven

ID220806
code 00651W

electric, 60cm fan forced, semi automatic



SIZE	594mm W x 594mm H x 556mm D
FINISH	white enamel
INSTALLATION	underbench or wall, flush or proud mount
CAPACITY	68.42 litre 58.08 net cooking
SEMI AUTOMATIC	120-minute maximum variable countdown stop cook, manual override
COOLING FAN	independent carcass cavity cooling
THERMOSTAT	0–250° Celsius
SAFETY	all furniture safety notched double-glazed door with forced-air door cooling thermal overload protection
FURNITURE	baking/roasting/grill tray grill insert two chromed-wire shelves wide-grip safety handle for grill tray
WARRANTY	two years parts and labour

OVEN FUNCTIONS



fan forced



fan grill



static grill



defrost



light only

MULTIFUNCTION

- fan forced** For full capacity, swift and even cooking, suitable for most foods.
- fan grill** Full capacity or small quantities of meat, poultry, fish, infrared radiant heat from above assisted by the rear fan circulating hot, moist air around the food.
- static grill** Using only the grill element, the heat is one-directional and is perfect for top browning and very even toasting.
- defrost** Faster thawing is attained in the safe environment of the oven cavity with the continuous circulation of air at a near-ambient temperature.

SUPER STRENGTH ENAMELING

During construction, the oven cavity is baked at 850°C to create a super-strong molecular bonding of the enamel. This ultra-smooth surface is resilient to oxidation (rusting), pitting and the deleterious effects of cleaning agents and acidic food.

REMOVABLE DOOR

Easily removed, this robust door allows wipe-over maintenance away from the oven. When removed, more ergonomic access to the oven cavity is possible for easier cleaning.

DOUBLE SEAL

Above the oven cavity opening is a double seal. The lower seal prevents the hot, moist and particle-laden cooking air from escaping through the top vents. Only cleaner and cooler air is sent through the deliberate cavity between the inner and outer thermo-reflective glass door panes.

COOLING FAN

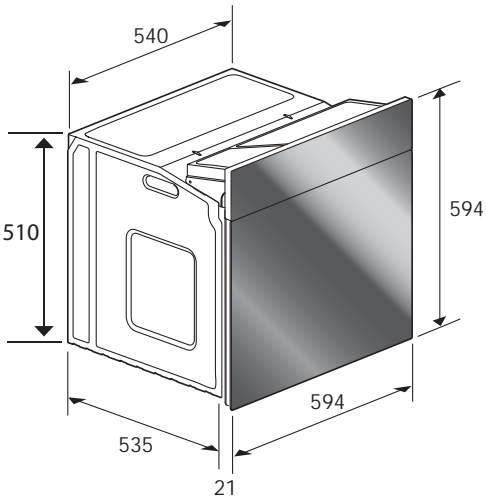
An independent cooling fan draws fresh air from the kitchen through apertures below the oven door, then through a cavity between the inner and outer carcass, and finally expels back into the kitchen below the control panel. This circulating fresh air is mixed with warmer vented air from the oven. Cooling air is also forced upward between the glass panes of the door. The air circulation is designed to ensure all external surfaces are safe to touch, the controls are never under duress and 'sweating' in adjacent cabinetry is eliminated.

omega

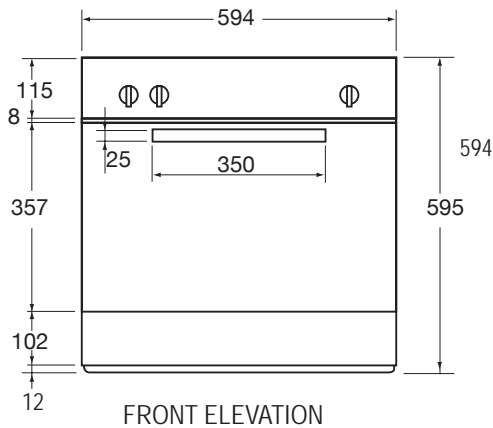
00651W oven

ID220806
code 00651W

electric, 60cm fan forced, semi automatic

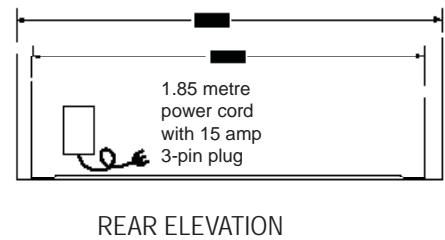
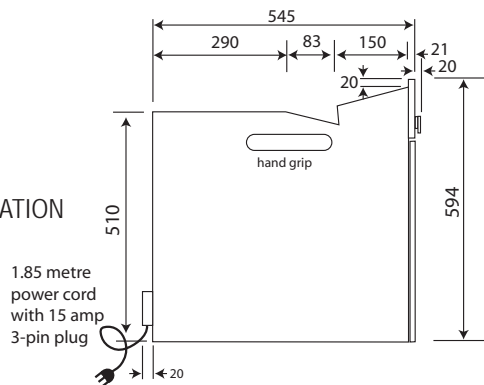
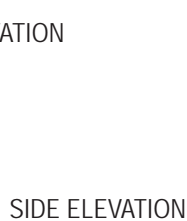


height 594mm
width 594mm
depth 556mm
cutout for proud mounting height — 585mm min
width — 560mm min
depth — 543mm min
oven cavity 350mm H x 460mm W x 425mm D = 68.42 litre
cooking capacity 330mm H x 440mm W x 400mm D = 58.08 litre
supplied grill/roasting/baking tray
two chromed-wire shelves
wide-grip grill tray safety handle



electricity supply 240 volt
50 Hz
electrical connection 1.85m connected 15 amp 3-pin power cord
maximum wattage 2165 watts
current 9.00 amp
PLEASE NOTE dedicated 15 amp wall socket required within cabinetry for the direct plugging of oven

NB: drawings are not to scale — they are to assist only



Element		Roof	Rear Wall	Rear Wall Fan	Cooling	Light	Max Wattage	Current
wattage		1800	2100	25	25	15		
fan forced			●	●	●	●	2165	9.0
fan grill		●		●	●	●	1865	7.8
static grill		●			●	●	1840	7.7
defrost				●	●	●	65	0.3
light only						●	15	0.06

omega

Warning: technical specifications and product sizes can be varied by the manufacturer without notice. Cutouts for appliances should only be by physical product measurements. The above information is indicative only.