

00674XA oven

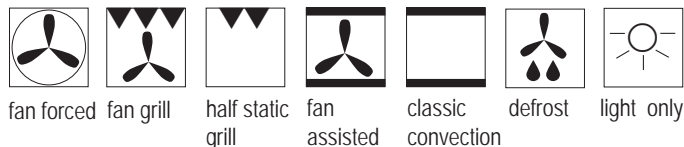
ID211106
code 00674XA

electric, 60cm fan forced & convection, seven function, fully automatic



SIZE	594mm W x 595mm H x 566mm D
FINISH	stainless steel
INSTALLATION	underbench or wall, flush or proud mount
CAPACITY	68.42 litre 58.08 net cooking
FULLY AUTOMATIC	automatic — programmable digital clock, full auto cooking, semi-auto cooking, minute minder, manual override
COOLING FAN	independent carcase cavity cooling
THERMOSTAT	0–250° Celsius
SAFETY	all furniture safety notched double-glazed door with forced-air door cooling thermal overload protection
FURNITURE	baking/roasting/grill tray grill insert two chromed-wire shelves wide-grip safety handle for grill tray
WARRANTY	two years parts and labour
NB:	includes — removable roof liner, fitted catalytic liners, flat thermo-reflective inner glass door pane

OVEN FUNCTIONS



fan forced fan grill half static grill fan assisted classic convection defrost light only

MULTIFUNCTION

- fan forced** for full capacity, swift and even cooking, suitable for most foods
- fan grill** full capacity or small quantities of meat, poultry, fish, infrared radiant heat from above assisted by the rear fan circulating hot, moist air around the food
- half static grill** USING only the roof element, the heat is one-directional and is perfect for top browning and very even toasting
- classic convection** gentler cooking for certain food types using only the perimeter roof element and the concealed floor element
- fan assisted** the rear wall fan in conjunction with the outer (perimeter) roof element and the concealed floor element. This function suits most foods and in small quantities
- defrost** faster thawing is attained in the safe environment of the oven cavity with the continuous circulation of air at a near-ambient temperature

SUPER STRENGTH ENAMELING

During construction, the oven cavity is baked at 850°C to create a super-strong molecular bonding of the enamel. This ultra-smooth surface is resilient to oxidisation (rusting), pitting and the deleterious effects of cleaning agents and acidic food.

REMOVABLE DOOR

Easily removed, this robust door allows wipe-over maintenance away from the oven. When removed, more ergonomic access to the oven cavity is possible for easier cleaning.

DOUBLE SEAL

Above the oven cavity opening is a double seal. The lower seal prevents the hot, moist and particle-laden cooking air from escaping through the top vents. Only cleaner and cooler air is sent through the deliberate cavity between the inner and outer thermo-reflective glass door panes.

COOLING FAN

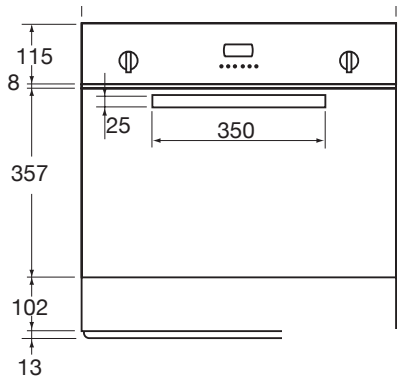
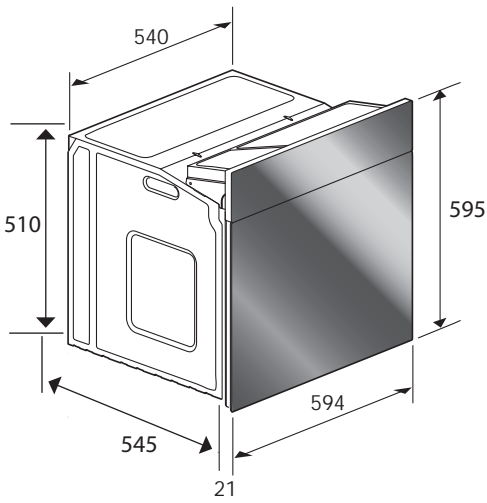
An independent cooling fan draws fresh air from the kitchen through apertures below the oven door, then through a cavity between the inner and outer carcase, and finally expels back into the kitchen below the control panel. This circulating fresh air is mixed with warmer vented air from the oven. Cooling air is also forced upward between the glass panes of the door. The air circulation is designed to ensure all external surfaces are safe to touch, the controls are never under duress and 'sweating' in adjacent cabinetry is eliminated.

omega

00674XA oven

ID211106
code 00674XA

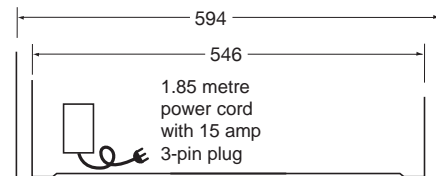
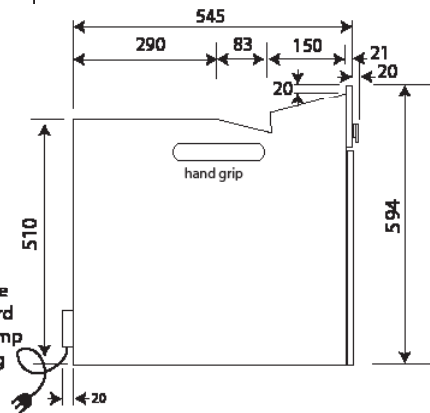
electric, 60cm fan forced & convection, seven function, fully automatic



FRONT ELEVATI

SIDE ELEVA

1.85 metre
power cord
with 15 amp
3-pin plug



REAR ELEVATION

height 595mm
width 594mm
depth 566mm
oven cavity 350mm H x 460mm W x 425mm D = 68.42 litre
cooking capacity 330mm H x 440mm W x 400mm D = 58.08 litre
supplied grill/roasting/baking tray
two chromed-wire shelves
wide-grip grill tray safety handle

electricity supply 240 volt
50 Hz
electrical connection 1.85m connected 15 amp 3-pin power cord
maximum wattage 2375 watts
current 9.9 amp

PLEASE NOTE dedicated 15 amp wall socket required within cabinetry for the direct plugging of oven

NB: drawings are not to scale — they are to assist only

element	roof		floor	rear wall	rear wall fan	cooling fan	light	max wattage	current amp
	inner	outer							
wattage	1200	1000	1100	2300	25	25	25		
fan forced				●	●	●	●	2375	9.9
fan assisted		●	●		●	●	●	2175	9.1
fan grill		●	●		●	●	●	2275	9.5
half static grill		●				●	●	1250	5.2
classic convection			●	●		●	●	2150	9.0
defrost					●	●	●	75	0.4
light only							●	25	0.1

Warning: technical specifications and product sizes can be varied by the manufacturer without notice.

Cutouts for appliances should only be by physical product measurements. The above information is indicative only.

omega