

# 00610X oven

ID211106  
code 00610X

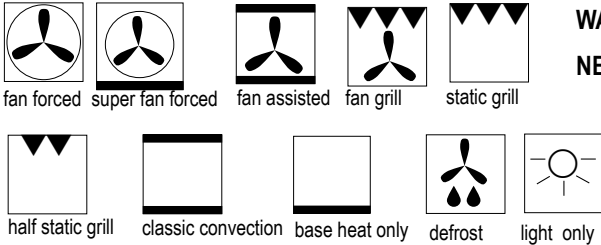
electric, 60cm fan forced & convection, ten function, fully programmable,  
electronic display



<b>SIZE</b>	594mm W x 595mm H x 566mm D
<b>FINISH</b>	stainless steel
<b>INSTALLATION</b>	underbench or wall, flush or proud mount
<b>CAPACITY</b>	68.42 litre, 58.08 net cooking
<b>FULLY AUTOMATIC</b>	programmable, digital clock, full auto cooking, semi-auto cooking, minute minder (1439 minute max), manual override
<b>COOLING FAN</b>	independent carcass cavity cooling
<b>THERMOSTAT</b>	0–250° Celsius
<b>SAFETY</b>	all furniture safety notched double-glazed door with forced-air door cooling thermal overload protection
<b>FURNITURE</b>	baking/roasting/grill tray grill insert two chromed-wire shelves wide-grip safety handle for grill tray
<b>WARRANTY</b>	two years parts and labour

**NB:** includes — removable roof liner, fitted catalytic liners, flat glass thermo-reflective inner glass door pane, two telescopic shelves

## OVEN FUNCTIONS



## MULTIFUNCTION

<b>fan forced</b>	for full capacity, swift and even cooking, suitable for most foods
<b>super fan forced</b>	fan forced plus concealed floor element heat — when base cooking is also required, eg lasagne, pies, pizza
<b>fan grill</b>	full capacity or small quantities of meat, poultry, fish, infrared radiant heat from above assisted by the rear fan circulating hot, moist air around the food
<b>static grill</b>	both roof elements for full cover and larger capacity grilling
<b>half static grill</b>	using only the roof element, the heat is one-directional and is perfect for top browning and very even toasting
<b>classic convection</b>	gentler cooking for certain food types using only the perimeter roof element and the concealed floor element
<b>base heat only</b>	use to crisp pastry bases, use to keep whole oven hot without overcooking
<b>fan assisted</b>	the rear wall fan in conjunction with the outer (perimeter) roof element and the concealed floor element. This function suits most foods and in small quantities
<b>defrost</b>	faster thawing is attained in the safe environment of the oven cavity with the continuous circulation of air at a near-ambient temperature

## SUPER STRENGTH ENAMELING

During construction, the oven cavity is baked at 850 °C to create a super-strong molecular bonding of the enamel. This ultra-smooth surface is resilient to oxidisation (rusting), pitting and the deleterious effects of cleaning agents and acidic food.

## REMOVABLE DOOR

Easily removed, this robust door allows wipe-over maintenance away from the oven. When removed, more ergonomic access to the oven cavity is possible for easier cleaning.

## DOUBLE SEAL

Above the oven cavity opening is a double seal. The lower seal prevents the hot, moist and particle-laden cooking air from escaping through the top vents. Only cleaner and cooler air is sent through the deliberate cavity between the inner and outer thermo-reflective glass door panes.

## COOLING FAN

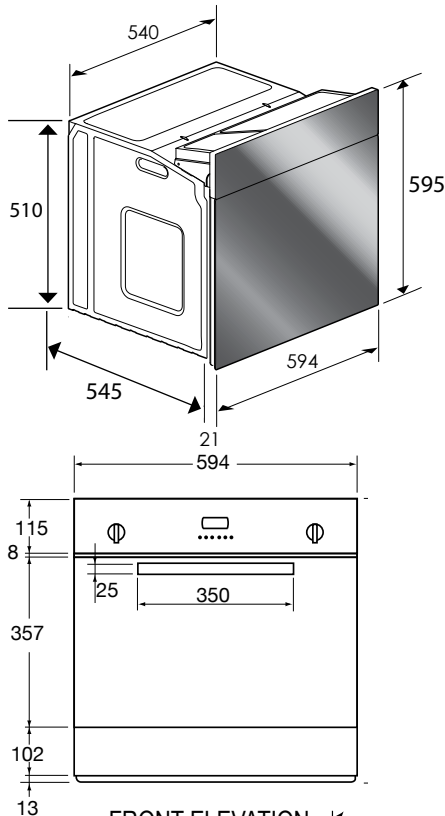
An independent cooling fan draws fresh air from the kitchen through apertures below the oven door, then through a cavity between the inner and outer carcass, and finally expels back into the kitchen below the control panel. This circulating fresh air is mixed with warmer vented air from the oven. Cooling air is also forced upward between the glass panes of the door. The air circulation is designed to ensure all external surfaces are safe to touch, the controls are never under duress and 'sweating' in adjacent cabinetry is eliminated.

**omega**

# 00610X oven

ID211106  
code 00610X

electric, 60cm fan forced & convection, ten function, fully programmable,  
electronic display



**height** 595mm  
**width** 594mm  
**depth** 566mm  
**cutout for proud mounting** 585H min x 560Wmin x 543min (mm)  
**oven cavity** 350mm H x 460mm W x 425mm D = 68.42 litre  
**cooking capacity** 330mm H x 440mm W x 400mm D = 58.08 litre  
**supplied** grill/roasting/baking tray  
 two chromed-wire shelves  
 wide-grip grill tray safety handle

**electricity supply** 240 volt  
 50 Hz  
**electrical connection** 1.85m connected 15 amp 3-pin power cord  
**maximum wattage** 3075 watts  
**current** 12.8 amp  
**PLEASE NOTE** dedicated 15 amp wall socket required within cabinetry for the direct plugging of oven

**NB: drawings are not to scale — they are to assist only**

**Warning: technical specifications and product sizes can be varied by the manufacturer without notice. Cutouts for appliances should only be by physical product measurements. The above information is indicative only.**

SIDE ELEVATION

FRONT ELEVATION

REAR ELEVATION

element		roof		floor	rear wall	rear wall fan	cooling fan	light	max wattage	current amp
		inner	outer							
<b>wattage</b>		1200	1000	1100	2300	25	25	25		
<b>fan forced</b>					●	●	●	●	2375	9.9
<b>super fan forced</b>				●(700)	●	●	●	●	3075	12.8
<b>fan assisted</b>			●	●		●	●	●	2175	9.1
<b>fan grill</b>		●	●			●	●	●	2275	9.5
<b>static grill</b>		●	●				●	●	2250	9.4
<b>half static grill</b>		●					●	●	1250	5.2
<b>classic convection</b>			●	●			●	●	2150	9.0
<b>base heat only</b>				●			●	●	1150	4.8
<b>defrost</b>						●	●	●	75	0.4
<b>light only</b>								●	25	0.1