



# FREESTANDERS

Historically, the all-in-one cooker is an important part of kitchen design. The freestanding cooker, even in the modern kitchen layout, offers immediate design and ergonomic solutions. In the selection of a single appliance, you can choose an underbench electric oven with either a gas or electric hob. In all stainless steel and 60cm and 90cm widths, the Omega cookers can sit comfortably into heritage, modern classic and minimalist decors.

# 60cm freestanders

OF601XA



1 x ultra-rapid burner (wok), 15 mj/hr  
2 x semi-rapid burners, 6.5 mj/hr max each  
1 x auxiliary burner, 3.9 mj/hr

## OVEN

- 60cm stainless steel
- AA high-quality enamelling
- fan forced multifunction
- 6 functions
- digital LED, minute minder, manual override
- 74 capacity
- cooling fan
- double-glazed forced-air door

## HOB

- cast-iron trivets and burner caps
- automatic electronic ignition
- 31.9 mj/hr over four burners
- 12 amp current, hard wired
- set for natural gas, ULPG adaptable



fan forced   fan grill   static grill   bakers function   convection   light

OF602XA



145mm dia zone, 1200W  
120mm dia zone, 1200W  
170mm dia zone, 1000W +  
95mm 800W extension zone  
180mm dia zone, 1800W

## OVEN

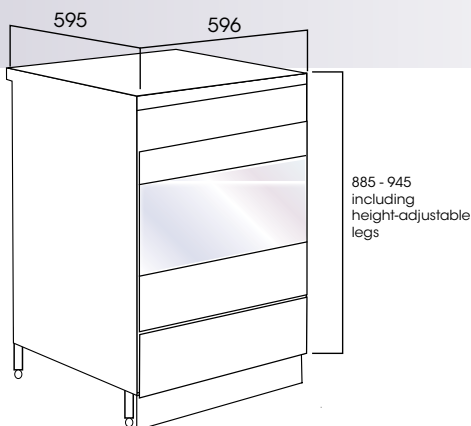
- 60cm stainless steel
- AA high-quality enamelling
- fan forced multifunction
- 6 functions
- digital LED, minute minder, manual override
- 74 litre capacity
- cooling fan
- double-glazed forced-air door cooling

## HOB

- ceramic hob, high-speed ribbon elements
- full heat in 7 seconds
- nine heat settings per zone
- residual heat safety lights



fan forced   fan grill   static grill   bakers function   convection   light



885 - 945  
including  
height-adjustable  
legs

PLEASE NOTE that drawings in this catalogue are not to scale. Specifications may be changed by the manufacturer without notice. It is advised that the product be at hand when measuring for kitchen cabinetry installation to ensure accuracy.

# 90cm freestanders

## OVEN

- 90cm stainless steel
- AA high-quality enamelling
- twin fan forced multifunction
- five cooking functions plus defrost
- digital LED minute minder
- 121 litre capacity

## HOB

- cast-iron trivets and burner caps
- automatic electronic ignition
- 43.3mj/hr over five burners
- 12 amp current, hard wired
- set for natural gas, ULPG adaptable



fan forced   fan grill   static grill   bakers function   convection   defrost



1 x ultra-rapid burner, 15 mj/hr  
 1 x rapid burner, 12 mj/hr  
 2 x semi-rapid burners, 6.3 mj/hr max each  
 1 x auxiliary burner, 3.9 mj/hr

OF901XA

## OVEN

- 90cm stainless steel, glass door
- AA high-quality enamelling
- twin fan forced multifunction
- five cooking functions plus defrost
- digital LED, minute minder, manual override
- 121 litre capacity
- cooling fan
- double-glazed forced-air door cooling

## HOB

- ceramic hob
- 5 high-speed ribbon elements + two expansion zones
- full heat in 7 seconds
- nine heat settings per zone
- residual heat safety lights

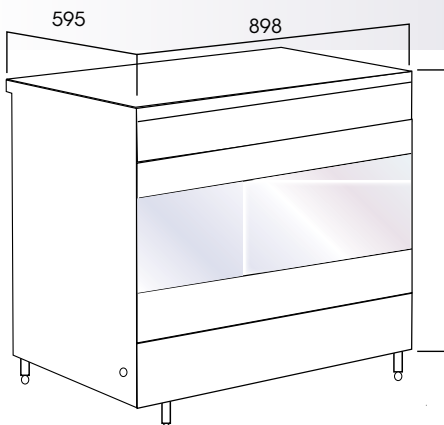


fan forced   fan grill   static grill   bakers function   convection   defrost



120mm dia zone, 700W +  
 210mm 1400W extension zone  
 2 x 145mm dia zone, 1200W each  
 170mm dia zone, 1400W + 95mm 800W extension zone  
 180mm dia zone, 1800W

OF902XA



870 - 940  
 including  
 height-adjustable  
 legs