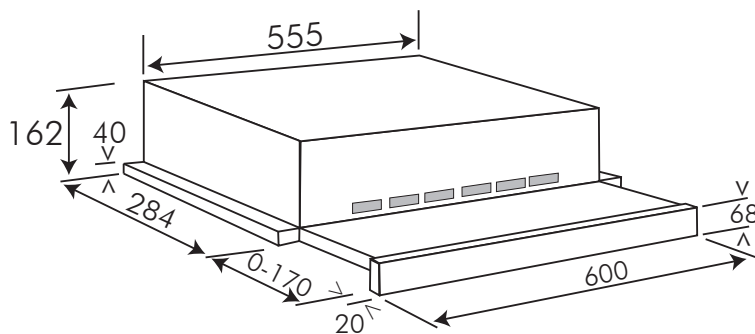
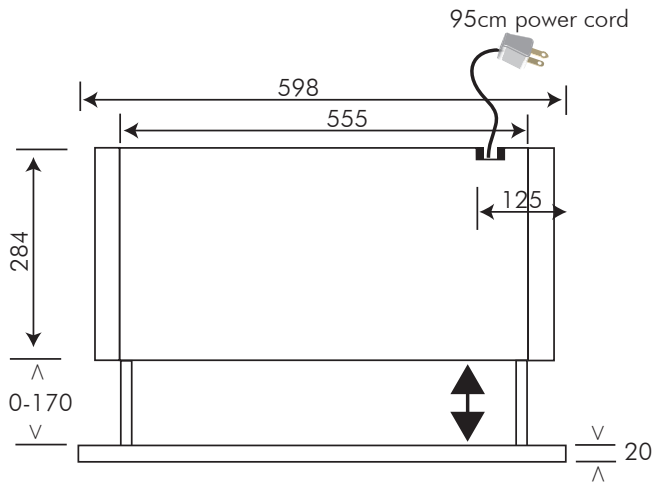


dimensions	162mmH x 598mmW x 304mmD closed 162mmH x 598mmW x 474mmD open NB: 262mm height when direct ducting
fascia rail	68mmH stainless steel, front recirculating 42mmH stainless steel, direct ducting
integration	fascia rail removable and replaceable for full integration
motor	60 watt
speeds	two: right-hand rocker switch
lighting	2 x 20 watt halogen globes
noise rating	38–52 dBA (full)
capacity	275m ³ /hr ducted 200m ³ /hr recirculated
filter	one piece, 3-ply aluminium — removable, washable
supplied	<ul style="list-style-type: none"> • fitted 68mmH stainless steel fascia rail • tape-covered front recirculation vents • accessory 42mmH stainless steel fascia rail • 100mmH spigot adaptor for 125mm diameter ducting direct to atmosphere • template • instructions for installation, operation, maintenance • brackets, screws
electricity supply	240 volt, 50Hz
electrical connection	connected 95cm power cord with 3-pin 10 amp plug
total wattage	140 watts
current	0.583 amp
packaged dimensions	700mm x 375mm x 235mm = 0.062m ³
net weight	6.5kg
gross weight	7.8kg

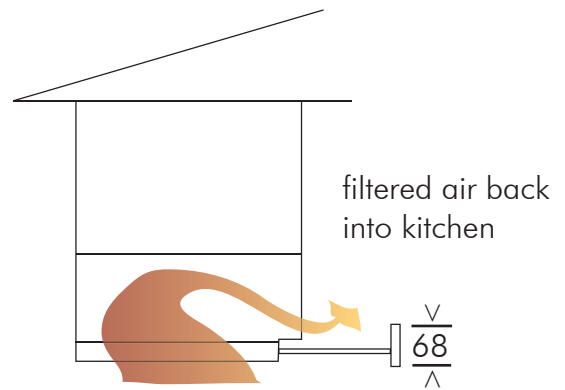


NB: drawings are not to scale — they are to assist only

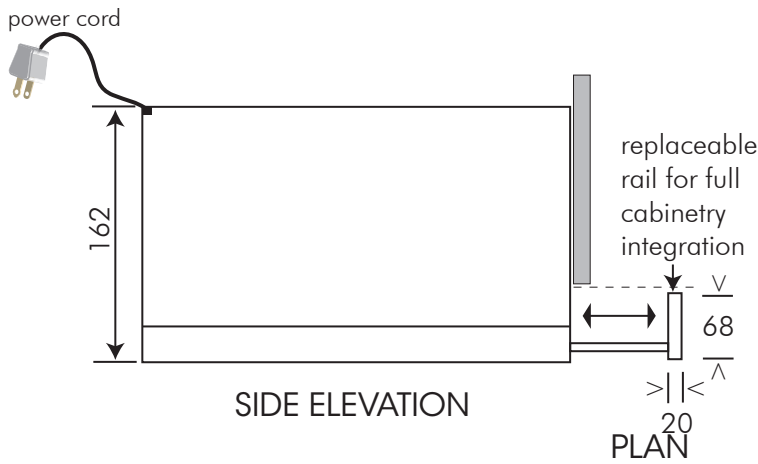
FRONT RECIRCULATING



PLAN

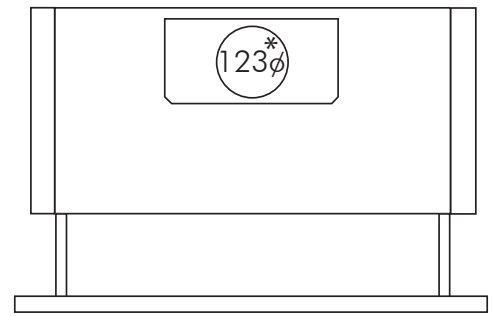


DIRECT DUCTING



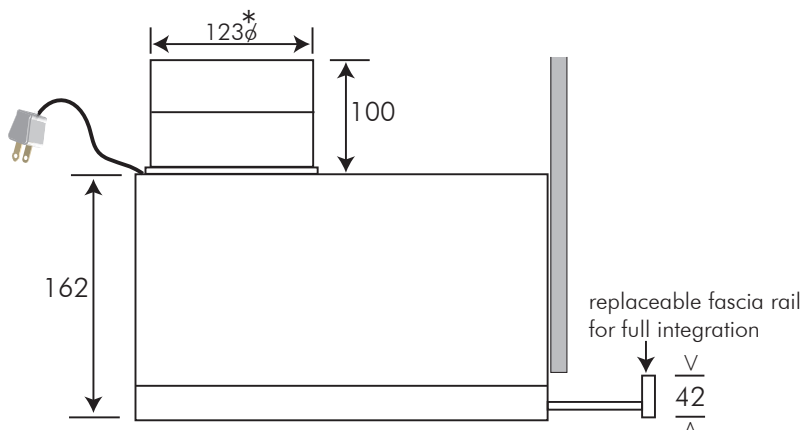
SIDE ELEVATION

PLAN

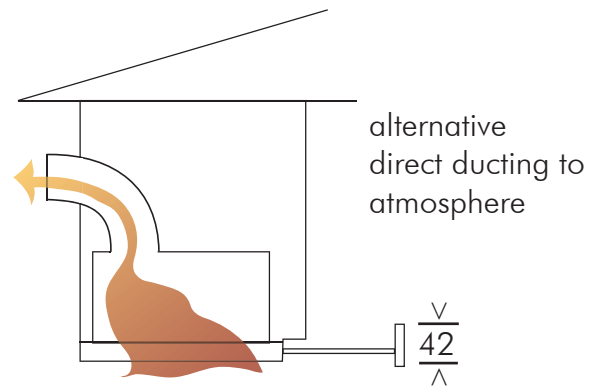


* spigot to fit 125mm diameter ducting

NB: drawings are not to scale — they are to assist only



SIDE ELEVATION



alternative direct ducting to atmosphere