

**omega**

# USER'S MANUAL

FOR OPERATION & INSTALLATION

T-SHAPE COOKER HOOD



# Contents

From the manufacturer.....	1
----------------------------	---

## FOR THE USER

1. Your safety	
Warning .....	1
Installation.....	2
During use.....	2
Cleaning, Maintenance & Service.....	2
Electric Chord.....	3
2. Description	
Main parts.....	3
Ducted or Re-circulating mode.....	4
Speed Control.....	4
3. Instructions for use	
A. Push Button Control Panel.....	4
B. Touch Control Panel.....	5
C. Slide Control Panel.....	5
D. Remote Control.....	6
Cleaning & Maintenance.....	7
4. Installation.....	7
Dimension chart.....	9

## FOR THE INSTALLER

5. Safety Information.....	10
6. Troubleshooting.....	11

## From the Manufacturer

Please read this user manual carefully before attempting to operate the appliance and store it in a safe place for future reference.

This appliance and its packaging are produced by processes that minimize waste and respect the environment.

Please help us to continue this effort to protect the environment by using the appliance efficiently and dispose of the packaging in a responsible manner.

## FOR THE USER

### 1. Your safety

#### Warning



PLEASE READ THIS SECTION THOROUGHLY BEFORE ATTEMPTING TO OPERATE THE APPLIANCE

1. There shall be adequate ventilation of the room when the range hoods is used at the same time as appliances burning gas or other fuels (not applicable to appliances that only discharge the air back into the room).
2. There is a fire risk if cleaning is not carried out in accordance with the instructions.
3. Do not flambé under the rang hood.
4. The air must not be discharged into a flue that is used for exhausting fumes from appliances burning gas or other fuels (not applicable to appliances that only discharge the air back into the room).
5. This appliance is not intended for use by persons (including children) with reduced physical, sensory or mental capabilities, or lack of experience and knowledge, unless the have been given supervision or instruction concerning use of the appliance by a person responsible for their safety. Children should be supervised to ensure that they do not play with the appliance.
6. Air exhausted must be accordant with local laws.
7. Accessible parts may become hot when used with cooking appliances.

## **Installation**

This appliance must be installed or repaired by a qualified technician only.

It is dangerous to modify any part of this appliance.

The manufacturer declines all responsibility in case of failure to adopt proper safety measures.

Ensure the location in which this appliance is installed has good, permanent ventilation.

In ducted mode, there must be one or more permanent air inlet. The air collected must not be discharged into a duct used to blow off smoke from other appliances fed with electricity.

The distance between the bench to the lower part of the hood must not be less than 65cm.

Use an electrical connector with earth that is correct for your location.

Check that the voltage in your area correspond to the appliance as indicated on the rating label.

Do not connect the hood to a duct that carries combustion fumes (e.g. fireplace).

## **During use**

This product is designed for household use only and should never be used for commercial applications.

After use, always ensure that all controls are in the "OFF" position.

When frying with a gas flame, take particular care not to allow the oil or grease in the pan to catch fire.

## **Cleaning, Maintenance & Service**

Clean the grease filters often (at least once monthly). Heavy oil deposits is a fire hazard. Hood surface should be cleaned with soft cloth and non-corrosive detergent.

**Important:** Never attempt to repair this appliance by yourself. Always refer to qualified Service Technicians.

For your safety, insist on original parts.

Always switch off the electricity and unplug the connection before conducting maintenance or cleaning.

## Electric Chord

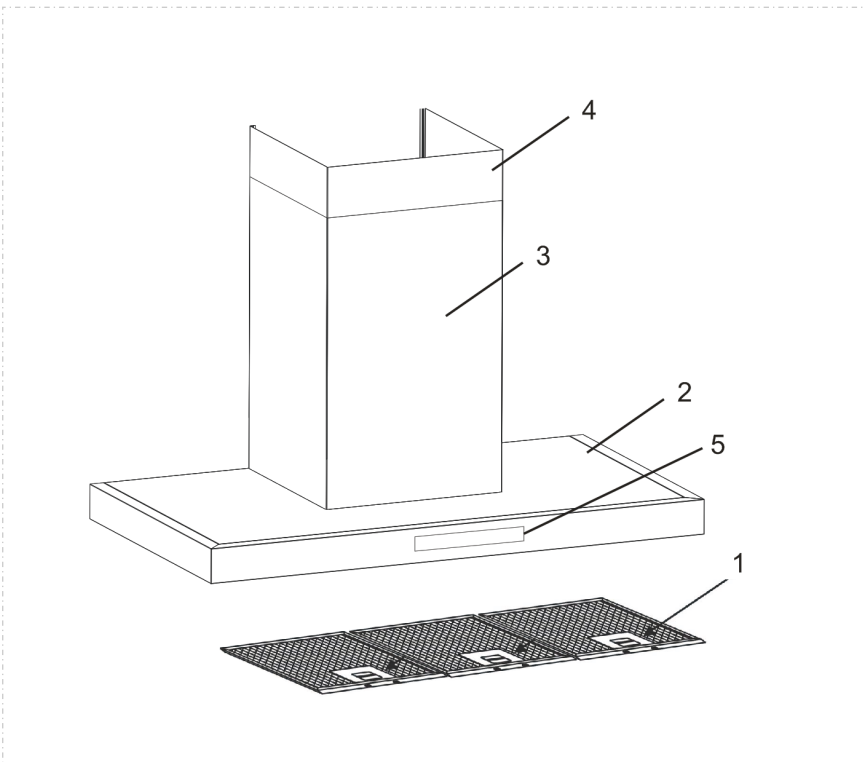
Ensure the supply chord is not exposed to heat, chemicals or sharp objects.

If the supply chord is damaged, it must be replaced by the manufacturer or its service agent or a similarly qualified person in order to avoid a hazard.

## 2. Description

### Main parts

- |                                   |                   |
|-----------------------------------|-------------------|
| 1. Aluminum Filter/ Baffle filter | 2. Canopy         |
| 3. Main flue                      | 4. Extension flue |
| 5. Control panel                  |                   |



## Ducted or Re-circulating mode

Depending on your requirement, this appliance can be configured to operate in the ducted or re-circulating modes.

**DUCTED MODE:** Fire proof ducting system of 150mm diameter vent the fumes through a suitable outlet. In the ducted mode, only the aluminum grease filters are installed.

**RECIRCULATING MODE:** Fumes are filtered for grease and odour through the aluminum grease filters and the charcoal filters respectively and re-introduced into the kitchen environment. In re-circulating mode, both the aluminum grease filters and the charcoal filters should be installed.

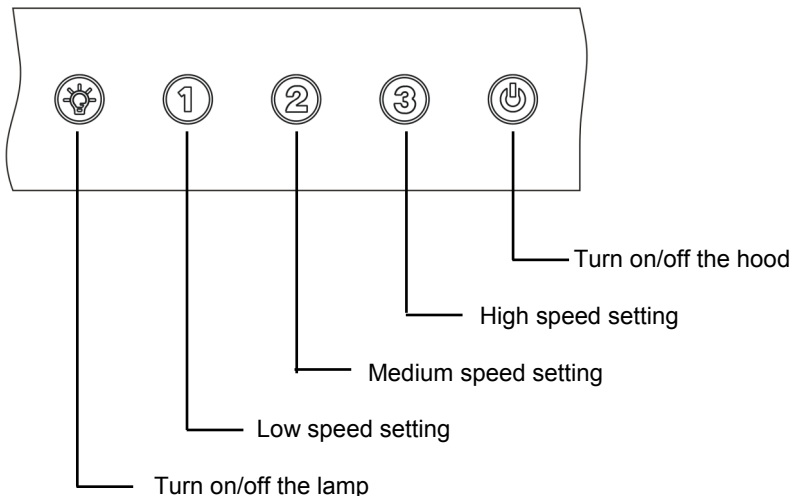
## Speed Control

The hood is equipped with a 3 or 4 speed mechanical/electronic control.

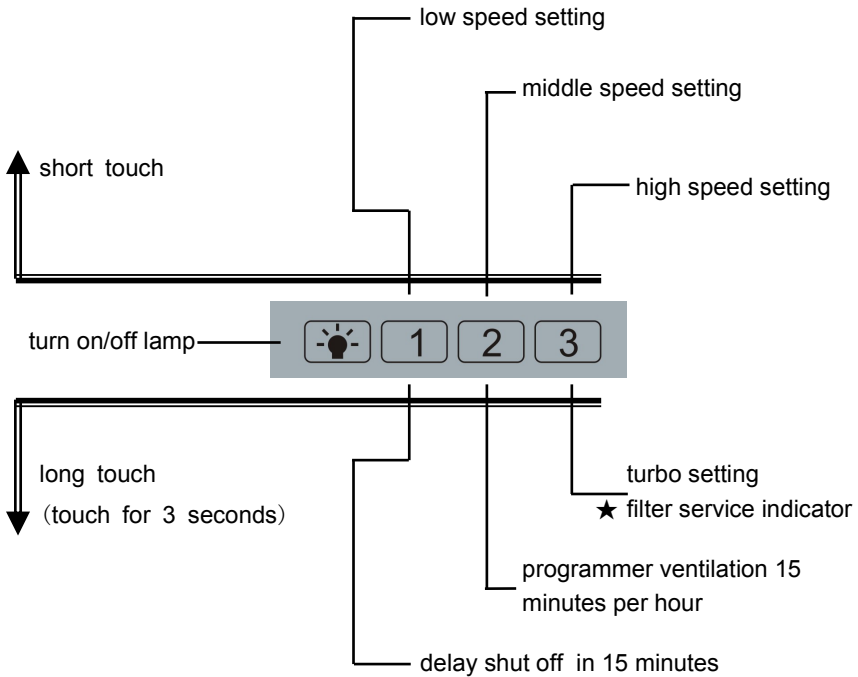
Use the low speed for simmering, medium speed for light cooking. Use the high speed for frying or heavy cooking.

## 3. Instructions for use

### A. Push Button Control Panel

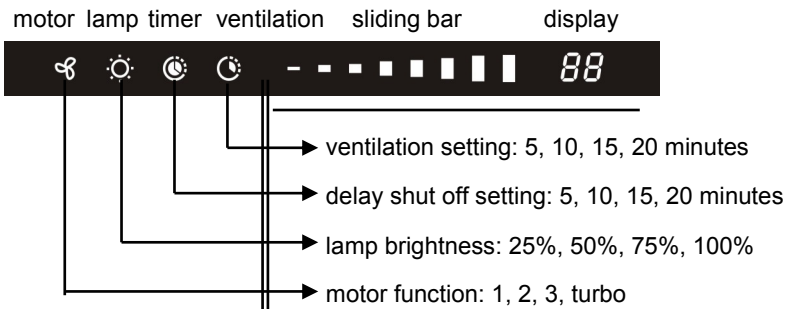


## B. Touch Control Panel

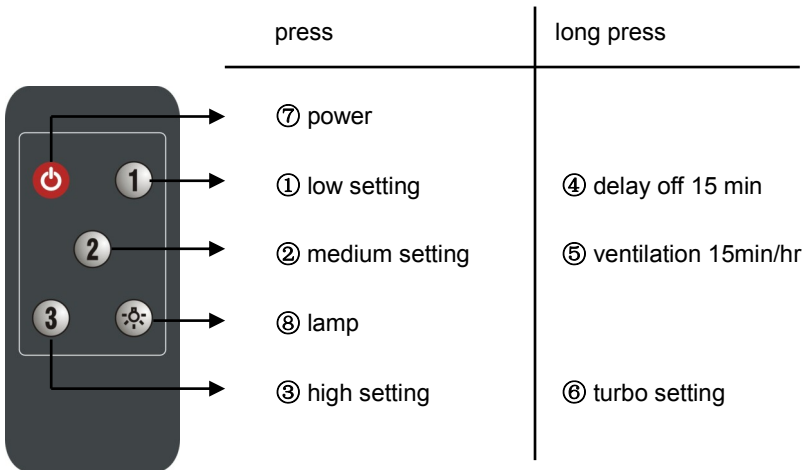


## C. Slide Control Panel

The slide control is the latest trend in high-tech consumer device. Installed in the top end models of Artinox hoods, the slide control gives the user the advantage of minute incremental adjustment of air flow power, illumination, delay shut down and program ventilation; plus the pleasure of both audio and visual confirmations.



## D. Remote Control



Remark:

⑦ **short press:** turn on/off the power.

① **short press:** turn on/off low speed setting.

② **short press:** medium speed setting.

⑧ **short press:** light on/off control.

③ **short press:** high speed setting.

④ **long press:** (a) while no other blower function is active, work at low speed setting & delay shut off in 15 minutes. (b) while any blower function is active, add a 15 minutes delay shut-off.

⑤ **long press:** work at medium speed setting & with Programmer ventilation 15 minutes per hour, only applicable while no other function is active.

⑥ **long press:** work at turbo speed setting.

Note:

(a) to repeat short press or long press on a single button will switch On and Off status of the present option.

(b) any latest option will replace the previous option.

## Cleaning & Maintenance



ALWAYS SWITCH OFF AND UNPLUG FIRST!

### SURFACES:

Wash with warm soapy water and a soft sponge. Never use abrasive detergent, scouring pads, steel wool or solvents on any part of this appliance as this will cause irreparable damage.

### ALUMINIUM GREASE FILTERS:

Wash in the dishwashers or soak the panels in a degreasing agent for an hour, then rinse off and dry before re-installing.

### CHARCOAL FILTERS:

(only in re-circulating model): Charcoal cannot be reused. They must be replaced with the appropriate types once a year or depending on the frequency of appliance usage.

For this appliance to function effectively, regular maintenance is a must.

Clogged filters restrict airflow and may cause the motor to overheat.

## 4. Installation

Use suitable bolts to mount the appliance on a secure surface.

The minimum distance between the bench top and the lowest part of the hood must not be no more than 65cm.

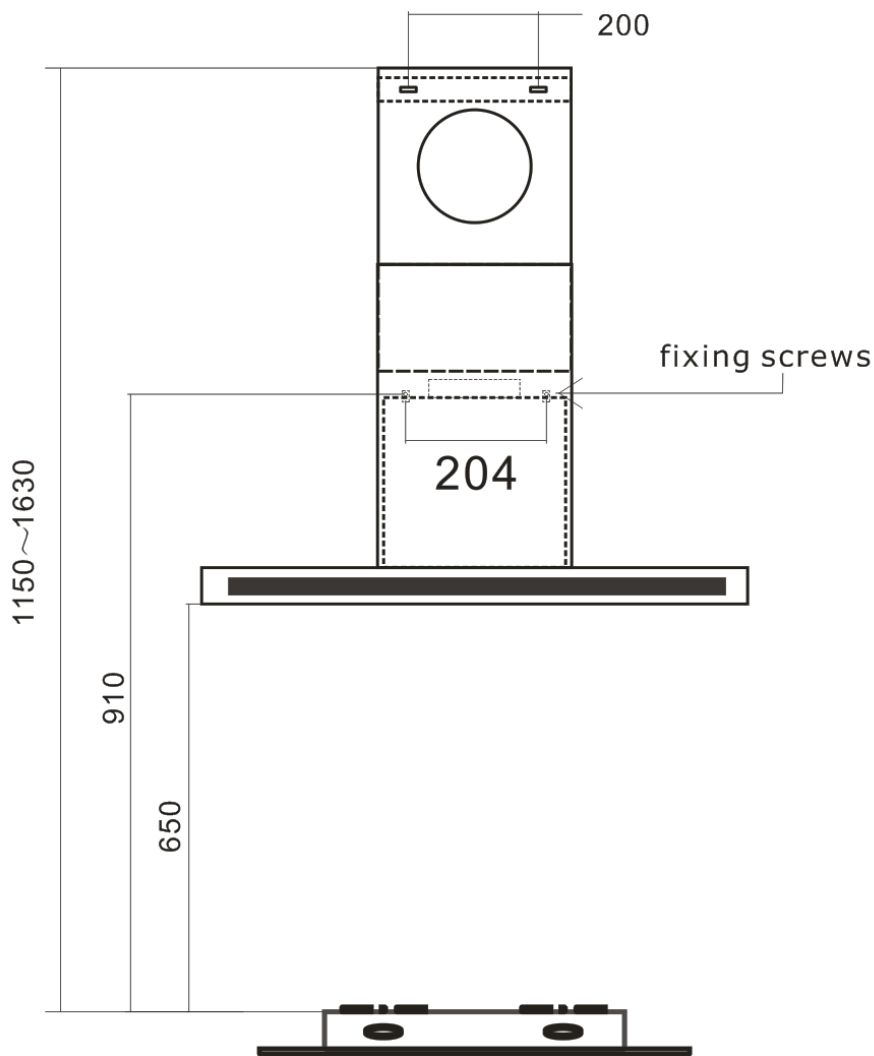
The location of the installation must have permanent openings for ventilation.

Regulations concerning the discharge of air have to be fulfilled.

It is strongly recommended that the hood be installed right over the exhaust air from cooking.

It is better not to install the outlet of the pipe in the wind direction, which can prevent the exhaust air from flowing backwards.

Fasten the components for the exhaust outlet with screws. To ensure good ejection of exhaust air, the pipe must not be bended for too many times.

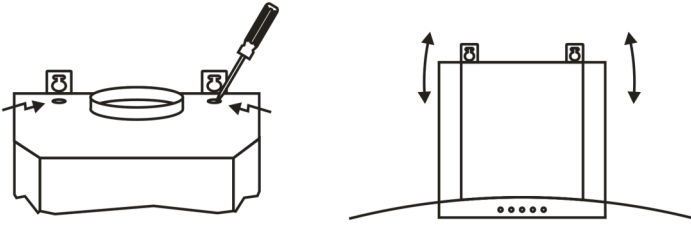


The four hob elements were used the appliance at most.

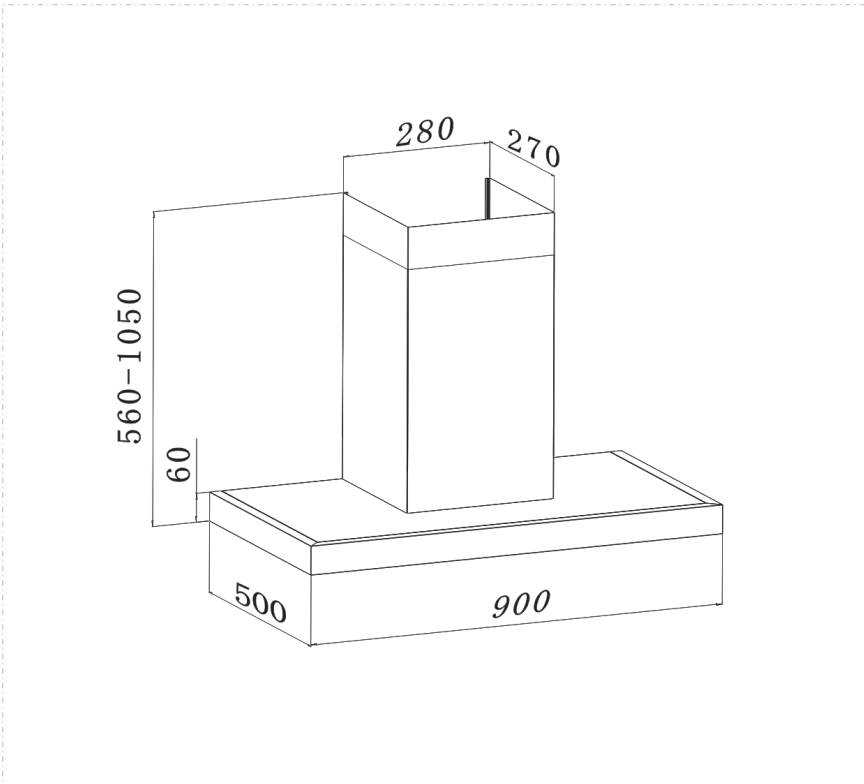
Every hood has two fixing screws to firmly fix the hood in its place.

### Leveling Device

When mounting the hood on the wall ,the level can be adjusted by turning the two screws on the motor housing.



### Dimension chart



# FOR THE INSTALLER

## 5. Safety Information

Connection to the electrical supply

Electrical connection must be made only in accordance to the local standards and laws.

Ensure that the electrical supply complies with the setting on this appliance, otherwise, do not connect.

The electrical connection of this appliance must be earthed. If unsure, check with a qualified electrician. Color code:

Green & Yellow = EARTH

Blue = NEUTRAL

Brown = LIVE

Ensure that the power supply chord is free from any heat source or sharp objects.

## 6. Troubleshooting

Symptoms	Possible Cause	Action
No go	No electrical supply	Check that the main switch is turned on
		Check that the plug is connected
Poor airflow	Aluminum grease filters clogged	Clean the filters and replace when dry
	Charcoal grease filters clogged	Replace charcoal filters with new sets
Motor running but no airflow	Butterfly valve jammed	Contact technician
Motor cuts after a few minutes	High temperature safety device activated	The kitchen is not sufficiently ventilated
	The hood is installed too near the cooking Stove	The hood must be at least 65cm from stove
Strong cooking smell	Charcoal filters are not installed	Charcoal filters must be installed in re-circulating mode
Oil dripping onto stove	Oil cup missing or not installed	Remove aluminum filter and replace oil cup
	Alumnum grease filter saturated	Wash the alumnum grease filters
Whirring sound	Foreign object in contact with fan blade	Contact technician



