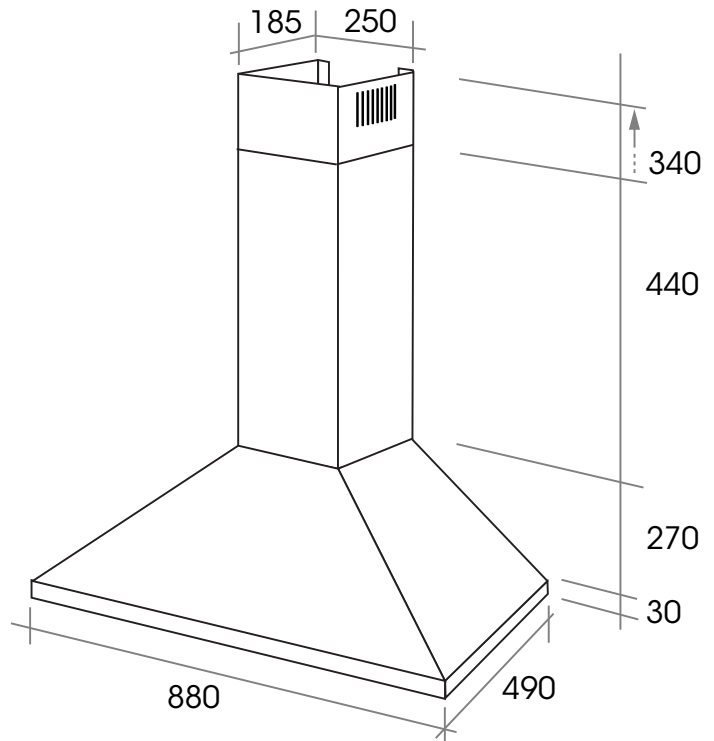


<b>finish</b>	satin stainless steel
<b>size</b>	880mmW x 490mmD — maximum flue height 780mm
<b>installation</b>	wallmount
<b>motor</b>	198 watt capacitor start, centrifugal, double impellor, two-directional air uptake
<b>air extraction</b>	exhaust to atmosphere or recirculate to kitchen
<b>capacity</b>	900m <sup>3</sup> /hr net
<b>controls</b>	push button
<b>illumination</b>	1 x 7W strip LED
<b>filtration</b>	3 x aluminium 5-ply grease filters, removable, washable
<b>noise</b>	44–60 dBA
<b>ducting</b>	150mm diameter ducting required
<b>recirculation</b>	upper chimney vented for optional recirculation. code RECIRC
<b>optional</b>	<ul style="list-style-type: none"> <li>• half wall plate, 900mmW x 650mmH, code 14202</li> <li>• full wall plate, 900mmW x 1600mm H, code 14203</li> <li>• activated charcoal filter pair, part number BD0060035</li> </ul>
<b>warranty</b>	two years parts and labour



NB: drawings are not to scale — they are to assist only