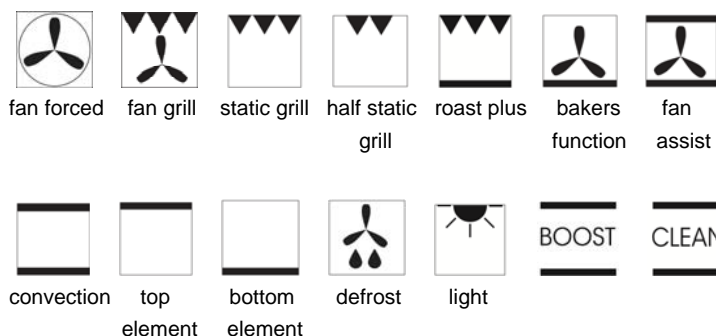




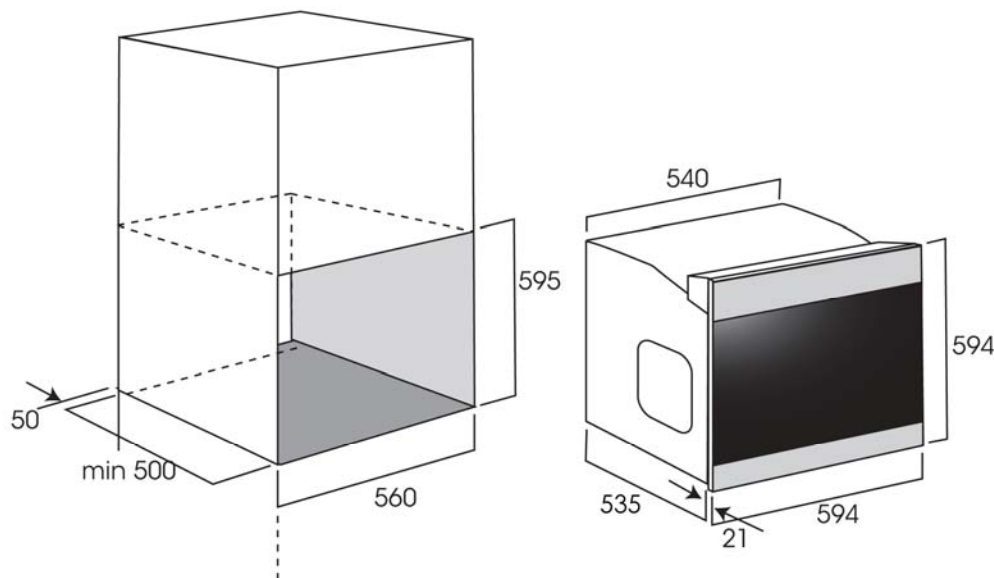
finish	stainless steel with black glass
installation type	built in
size	60cm 58 litres net
functions	fully automatic touch control 14 functions
warranty	2 years parts and labour

oven functions



FEATURE	DETAILS / BENEFITS
super strength enamelling	during construction, the oven cavity is baked at 850°C to create super-strong enamel. This ultra-smooth surface is resilient to oxidation (rusting), pitting and harmful effects of cleaning agents and acidic food.
removable door	when removed it allows more ergonomic access to the oven cavity and door for easier cleaning
double seal	above the oven cavity opening is a double seal. This seal prevents the hot, moist and particle-laden cooking air from escaping through the top vents and ensures only cleaner and cooler air is sent through the cavity between the inner and outer thermo-reflective glass door panes.
cooling fan	the air circulation is designed to ensure all external surfaces are safe to touch, the controls are never under duress and 'sweating' in adjacent cabinetry is eliminated.
fully automatic	a timer can be set for the oven to either turn on at a certain time OR countdown to turn off
BOOST function	for quick preheat - this special function can be activated after selecting a cooking function and is used to reduce the time required to reach the set cooking temperature
CLEAN function	the oven interior is treated with a microporous enamel which transforms food residue into powder for easy cleaning. This function can only be activated when no cooking function has been selected.

Technical Specifications



PLEASE NOTE

A dedicated 15amp wall socket is required for the direct plugging of oven.

Drawings are not to scale – they are to assist only.

product details		functions	
finish	black glass with stainless steel	number of functions	14
capacity	58 litres net	oven light	yes
installation	built-in, underbench or wallmount	fan forced	yes
overall dimensions H x W x D	594 x 594 x 535	fan grill	yes
weight	29kg (packaged)	static grill	yes
		half static grill	yes
		upper & lower element (convection)	yes
		fan assist	yes
		bottom element	yes
		bottom element & fan (bakers)	yes
		bottom element & grill	yes
		top element	yes
		defrost	yes
		clean	yes
		boost	yes
features		connection	
controls	touch control	power requirements	240V, 50Hz, 9 amps
temperature	50-250°C	power plug & cable	1.85m, 15 amps
timer	touch control		
timer function	fully automatic	warranty	
door	3 layer glass, cool door, removable	parts and labour	24 months
cavity	smooth black cavity, roof liner		
shelving	wire racks with 5 shelf heights		
safety	cooling fan		
accessories			
chrome wire shelves	2		
baking tray	yes		
grill insert	yes		
grill handle (wide grip)	yes		
telescopic racks	2 sets		