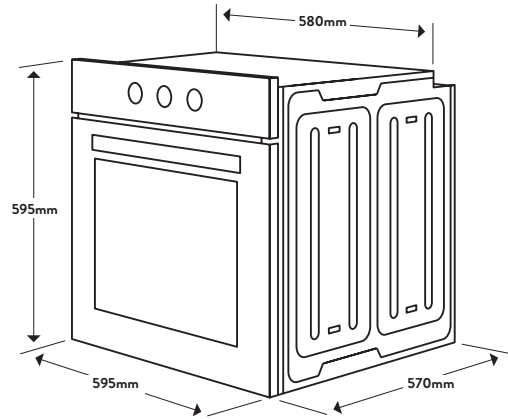




## Dimensions/Weight

Overall Dimensions (mm): 595(h) x 595(w) x 570(d)  
 Flush Mount Cut-Out (mm): 598(h) x 598(w)  
 Proud Mount Cut-Out (mm): 580(h) x 580(w)  
 Weight: 37kg



## Technical Details

### Style

Oven Type: Standard  
 Category Size: 60cm  
 Capacity: 90 Litres

### Functionality

Oven Functions: Fan Forced  
 Half Grill  
 Grill  
 Grill with Fan Assist  
 Defrost  
 Conventional  
 Bottom Element with Fan Assist  
 Light  
 Max Cooking Temperature: 250°C  
 Clock: Yes  
 Timer: Fully Programmable  
 Number of Shelf Positions: 8  
 Light: Yes

### Features & Accessories

Accessories: 2 x Chrome Wire Shelves  
 1 x Grill Insert  
 1 x Grill Handle  
 1 x Baking Tray  
 Easy View Door: Yes

### Installation

Maximum Current: 15amps  
 Connection: 220-240V, 50Hz  
 Installation Type: Hardwired

Warranty: 24 Months Parts & Labour

## Aesthetics

Finish: Slim Control Panel with Matte Black Trim  
 Controls: 2 Knob Controls + Touch Controls  
 Door: Top Opening Triple Glazed

## Key Features



### Easy View

Designed so you can see into the oven without opening the door through the largest and clearest oven window possible.



### Multifunction

This oven has a bottom, top and main element for more versatility and allows for better results in difficult dishes such as pastries, pies and pizzas.



### Safe Touch

This oven has three layers of glass resulting in the door being cooler to touch. This makes it safer for big and little hands.

## Customer Care

T: 1300 11 4357  
 E: sales@residentiagroup.com.au

NB: Drawings are not to scale - they are to assist only.  
 WARNING: technical specifications and product sizes can be varied by the manufacturer without notice. Cutouts for appliances should only be by physical product measurements.  
 The above information is indicative only.