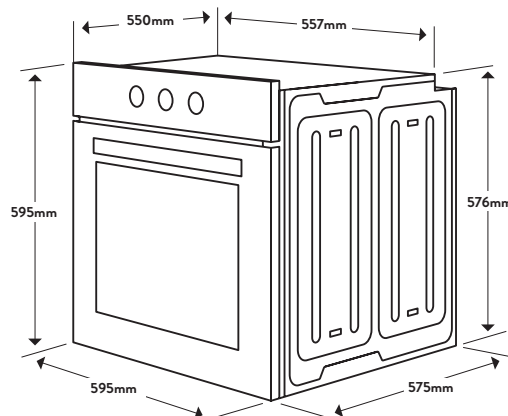




Dimensions/Weight

Overall Dimensions (mm): 595(h) x 595(w) x 575(d)
 Flush Mount Cut-Out (mm): 598(h) x 598(w)
 Proud Mount Cut-Out (mm): 580(h) x 580(w)
 Weight: 37kg



Technical Details

Style

Oven Type: Pyrolytic
 Category Size: 60cm
 Capacity: 70 Litres

Functionality

Oven Functions: Fan Forced
 Half Grill
 Grill
 Grill with Fan Assist
 Defrost
 Conventional
 Conventional + Fan Assist
 Pyro
 Max Cooking Temperature: 250°C
 Clock: Digital
 Timer: Fully Programmable
 Number of Shelf Positions: 9
 Light: Yes

Features & Accessories

Accessories: 2 x Chrome Shelves
 1 x Grill Pan
 1 x Grill Insert
 1 x Grill Handle
 1 x Baking Tray
 Easy View Door: Yes

Installation

Maximum Current: 15amps
 Connection: 240V, 50Hz
 Installation Type: Hardwired; Built-in
 Made In: Europe
 Warranty: 24 Months Parts & Labour

Customer Care

T: 1300 11 4357
 E: sales@residentiagroup.com.au

Aesthetics

Finish: Stainless Steel with Black Glass
 Controls: 2 Knob Controls & Button Controls
 Door: Top Opening Quad Glazed

Key Features



Pyrolytic Cleaning

Making cleaning easy - the oven locks, sets a timer and uses extreme heat to turn any food build up into ash to be simply wiped away.



Multifunction

This oven has a bottom, top and main element for more versatility and allows for better results in difficult dishes such as pastries, pies and pizzas.



Safe Touch

This oven has four layers of glass resulting in the door being cooler to touch. This makes it safer for big and little hands.

NB: Drawings are not to scale - they are to assist only.
 WARNING: technical specifications and product sizes can be varied by the manufacturer without notice. Cutouts for appliances should only be by physical product measurements.
 The above information is indicative only.